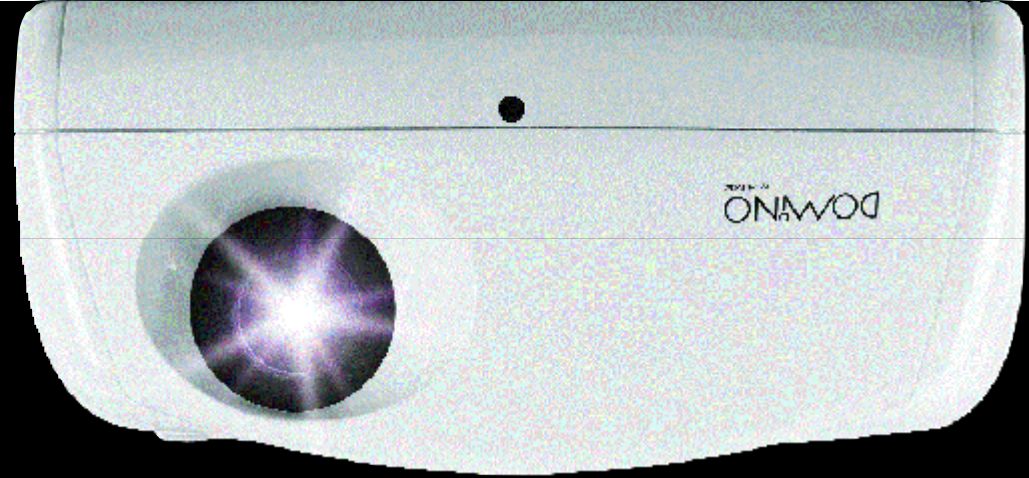




Due to constant product development, specifications and design might be subject to change without notice. DOMINO Catalog WORLD - December 2005



WWW.SIM2.COM

Headquarters:
SIM2 MULTIMEDIA S.p.A.
Viale Lino Zanussi, 11
33170 Pordenone - Italy
Tel. +39.0434.383256
Telefax +39.0434.383260
E-mail: info@sim2.it
Web site: www.sim2.com

Germany:
SIM2 DEUTSCHLAND GmbH
Industriepark, 17
D-56291 Wiebelsheim
Tel. +49.0700.40050066
Fax. +49.0700.70080099
e-mail: info@sim2.de
web site: www.sim2.de

UK:
SIM2 UK LTD
Steinway House, Worth Farm
Little Horsted, Nr. Uckfield
East Sussex TN22 5TT
Tel. +44.01825.750850
Telefax +44.01825.750851
e-mail: info@sim2.co.uk

USA:
SIM2 USA INC.
10108 USA Today Way
Miramar, FL 33025
Tel. +1.954.442.2999
Telefax +1.954.442.2998
E-mail: sales@sim2usa.com
Web site: www.sim2usa.com





The new SIM2 DOMINO delivers outstanding image quality synonymous to SIM2 Multimedia and has many distinguished features: blacks & whites are exceptional on and off screen, creating an impressive depth of vision; a true cinema experience can be created with the addition of a long throw lens, allowing the projector to be positioned behind the viewer - equally, the projector is so versatile, it can be placed on a bookshelf or installed on the ceiling opposite the screen and an exceptionally quiet mechanical design has been developed by SIM2 for extremely low acoustic noise.



It's in black and white...

The perfect synergy between high quality video projection and audio hi-fi, will transform your living room into a movie theatre, sports stadium or even the front row of an opera house or concert hall. The projector, the essential part of any true home theatre room, can create the ultimate viewing experience, changing your perception of home theatre forever. The digital home theatre revolution is here, bringing with it an awesome combination of digital surround sound and big screen picture with a clarity and fidelity never before achieved in this exciting evolving industry.

DOMINO
by SIM2

...Outstanding home theatre!

■ Easy to use.

■ Easy to install.

■ Easy to enjoy.



Sit back, relax & enjoy the action

Based on Texas Instruments DLP™ technology - ED2 chip for the DOMINO 20H (1024x576 pixels) and HD2+ chip (1280 x 720 pixels) for the DOMINO 30H - the DOMINO projectors deliver sharp, high contrast images (respectively >2000:1 and >2800:1), edge-to-edge definition, an excellent colourimetry and gray scale tracking.

Blacks & whites are exceptional on and off screen, creating an impressive depth of vision; a true cinema experience can be created with the addition of a long throw lens, allowing the projector to be positioned behind the viewer - equally, the projector is so versatile, it can be placed on a bookshelf or installed on the ceiling opposite the screen; an exceptionally quiet mechanical design has been developed by SIM2 for extremely low acoustic noise.



DOMINO 20H & 30H



DOMINO
by SIM2

Key points

- **DOMINO 30H:** based on **HD2+** DMD chip (1280x720 pixels)
 - **DOMINO 30H:** contrast ratio **>2800:1**
- **DOMINO 20H:** based on **ED2** DMD chip (1024x576 pixels)
 - **DOMINO 20H:** contrast ratio **>2000:1**
 - Future-proof input: **HDMI™-HDCP**
 - **6000 hours lamp life** (*)
- **Long Throw ratio** for a true cinema experience
 - Lens shift and digital Keystone adjustment
 - Built-in deinterlacer and video enhancement
 - Superior optics and white uniformity

Also, the DOMINO projectors benefit from the most sophisticated, state-of-the-art, processing available including on-board de-interlacing that prevents the introduction of motion artifacts and jagged edges. They also incorporate 3:2 pull down circuitry for flawless reproduction of film sources. A combination of SIM2 proprietary light engine and the 6-segment colour wheel ensures that the DOMINOs deliver an accurate colour rendition: reds, greens and blues are rich saturated and vibrant colours for a film-like image.

The DOMINO line feature a wide selection of inputs - including HDMI™ and is compatible with all video and graphic standard. HDMI™ is a purely digital connection that transmits the uncompressed bitstream directly from the source through to the display.

The DOMINO series elegant cabinet is available in either Black Shadow or White Evolution.



The DOMINO 18 is the latest single chip DLP™ technology based front projector to be added to the DOMINO by SIM2 range and features 16:9 ED2 chip from Texas Instruments (1024 x 576 pixels resolution).

Supreme images

The DOMINO 18 sports SIM2 enhanced light engine, providing a true contrast ratio of >1800:1 and delivers stunning film like image quality. And, the DOMINO 18's long throw ratio lens (2.2—3.1 x screen width) and vertical and horizontal keystone correction allow it to be positioned at the back of the room, behind the audience to recreate the ultimate cinematic experience.



The DOMINO18 projector benefits from on board video processing that prevents the introduction of motion artifacts and jagged edges. It also incorporates 3:2 pull down circuitry for flawless reproduction of film sources.

DOMINO 18



DOMINO
by SIM2

Key points

- **ED2 DMD** chip by Texas Instruments
 - **1024x576 pixels** resolution
 - True contrast ratio **>1800:1**
- Proprietary sealed optical engine
- **Lens shift** and **digital keystone adjustment**
 - Long throw ratio
- Silent 6-segment colour wheel
 - Wide choice of inputs
- On board deinterlacer and video enhancement



Connected to a world of possibilities

Specifically designed for the discerning Home Theatre enthusiast, the new DOMINO 18 projector sports a wide choice of inputs and is compatible with all video and graphic standard, including SVHS, component, RGB and VGA inputs. In addition it includes a 12 volt trigger and RS 232 port.



Design and colour

The DOMINO 18 features the design of the award winning DOMINO by SIM2 DLP™ based projection display but with a new cabinet colour: a stylish Matte Silver finish.



Based on Texas Instruments DLP™ technology (HD2+ chip), the DOMINO 55M delivers sharp, high contrast (>2100:1) images, edge-to-edge definition, an excellent colourimetry and grey scale tracking.

DOMINO 55M display, with its stylish good looks, 'matt black' finish and with features such as Stereo Loudspeakers (via external amplifier - L/R or Centre channel), Progressive, PC and HDMI™-HDCP inputs - this display offers the consumer greater choice to connect from DVD to Satellite to PC.

Indeed, the new HDMI™-HDCP input is the perfect link between digital audio/video sources and High Definition displays. It is a digital connection that transmits the uncompressed bit stream directly from the source through to the display - even high definition. It is backwards compatible with DVI and offers significant advantages. The connectors are much smaller and user friendly, and can carry digital audio.

DOMINO 55M



DOMINO
by SIM2

Key Points

- 1 HD2+ DMD chip by Texas Instruments
- 1280 x 720 pixel (WXGA) resolution
- HDMI™ input
- On board Video Processing
- Contrast ratio >2100:1
- New software: customisable inputs & memory
- Speakers 2x15W RMS (via external amplifier - L/R or Centre Channel)
 - New, silent 6-segment colour wheel
 - Proprietary alpha-path light engine
- SIM2 proprietary projection lens, Fresnel lens and design
 - Reduced cabinet dimensions



SIM2 manufacturers all of its products with foresight and the DOMINO 55M is no exception. It can be constantly upgraded via the RS232 connector and is compatible with emerging products and technologies.

Also, the DOMINO 55M features three custom-made components (SIM2 patent rights): first, a high resolution projection lens for reduced cabinet depth; second, a specific Fresnel lens to match the DMD chip; and, third, an improved and sealed light engine for super-high contrast (2100:1) and black level.





Following the Award winning RTX DLP™- based rear projection display, SIM2 introduced two new DLP™ displays into the successful DOMINO range capturing the essence of RTX but extending the concept to bring you two exciting feature-packed products.

If you're a film fan, sports enthusiast, games console addict, want to surf the Net or simply watch the Soaps, the new DOMINO 45 and DOMINO 55 will display these in glorious colour and definition thanks to SIM2's unique light engine and DLP™ technology from Texas Instruments.



DOMINO 45 & 55



DOMINO
by SIM2

Key points

- Large display series based on **DLP™ technology**
 - **1 HD2 DMD chip** by Texas Instruments
 - **1280 x 720 pixel (WXGA) resolution**
- **45" and 55"** diagonal screen size (16:9 screen format)
 - Proprietary projection lens, Fresnel lens and design
 - **On-board video processing**
 - **Contrast ratio > 1800:1**
- **Iperband tuner** for the reception of **100 channels**
 - **Audio 4x15W RMS (4 Ohm) multichannel**
 - Reduced cabinet dimensions

DOMINO displays are the ideal replacement for ageing CRT technology, with its stylish good looks, 'black piano' finish and with features such as Teletext, Powerful Stereo Loudspeakers, Twin Scarts, Progressive and PC inputs - these displays offer the consumer greater choice to connect from DVD to Satellite to PC.

SIM2 is committed to providing its customers state of the art technology at an ever more attractive price.

The DOMINO 45 and DOMINO 55 are available in Black Shadow cabinet colour.



A name you can trust.



SIM2 Multimedia is a world-leading manufacturer with more than 10 years experience in cutting edge technology. Recognised worldwide for their innovation and excellence, SIM2 is dedicated to bringing a cinema-quality picture into your home. You can be confident that a SIM2 projector is the right choice for style, colour and picture clarity.

In 2005, SIM2 Multimedia celebrates its first 10 years of operation. Today we have a permanent staff of 125 and have earned a reputation for our continuous innovation and the quality of our products.

Picture perfect



Digital Light Processing™ is the cinema standard to project film & video and is based on the DMD developed by Texas Instruments.

DLP™ technology delivers bright, crisp and precise image clarity with superior resolution and colour rendition.

How it works

A DMD can be described simply as a semiconductor light switch. Thousands of tiny, square, 13 x 13µm mirrors, fabricated on hinges atop a static random access memory (SRAM) make up a DMD. Each mirror is capable of switching a pixel of light. The hinges allow the mirrors to tilt between two states: "on" or "off".

DOMINO
by SIM2



Technical features

DOMINO 30H
DOMINO 20H
DOMINO 18



	DOMINO 30H	DOMINO 20H	DOMINO 18
LIGHT ENGINE			
DLP™ type: Proprietary sealed optical engine based on 1-chip DMD	HD2+	ED2	ED2
Resolution:	1280x720 pixels	1024x576 pixels	1024x576 pixels
Lens: High quality, high resolution optics with both motorised zoom and focus adjustments	•	•	•
Throw ratio (16:9 mode):	1.8 - 2.4:1	2.2 - 3.1:1	2.2 - 3.1:1
Lamp power consumption & life time: 120W, 6000 hours*	•	•	•
INSTALLATION			
Lens shift:	+/-8°	+/-10°	+/-10°
Digital keystone adjustment	+/-18° V., +/-10° H.	+/-18° V., +/-10° H.	+/-18° V., +/-10° H.
Picture size (inches diagonal):	50-250	50-250	50-250
Aspect Ratio: 4:3, 16:9, anamorphic, letterbox, panoramic, pixel to pixel + 3 custom-user adjustments	•	•	•

(*) Lamp life: the hours quoted have been calculated in a lab under strict test conditions. Lamp life varies depending on usage conditions and the surrounding environment. The calculated lamp life cannot be guaranteed and is not protected by warranty

	DOMINO 30H	DOMINO 20H	DOMINO 18
ELECTRONICS			
Horizontal & vertical scan freq.:15-80 KHz/48-100 Hz	•	•	•
Video standards (automatically selected):	PAL B, G, H, I, M, N, 60, SECAM, NTSC 3.58 & 4.43		
HDTV ATSC standards and graphic resolution:	480p, 1080i, 720p; 576p + 1080i 50Hz; VGA, SVGA, XGA, SXGA, UXGA @ 60 Hz		
On-board video processing	•	•	•
Contrast ratio (Full On/Full Off):	>2800:1	>2000:1	>1800:1
Colour temperature: 3 preset colour temperatures selectable by OSD + 1 user adjustment with separate adjustments for high and low light	•	•	•
Special Adjustments: noise reduction	•	•	•
Other special adjustments: overscan	•	•	•
GENERAL SPECIFICATIONS			
Control: control software upgradable via RS232 serial interface	•	•	•
Power consumption:180W max	•	•	•
Mains Voltage range & frequency: 100-240 Vac +/-10%, 48/62 Hz	•	•	•
Weight: 5 Kg. (11 lbs)	•	•	•
Cabinet dimensions (WxHxD):	352x174x318mm (13.9"x6.85"x12.5")		

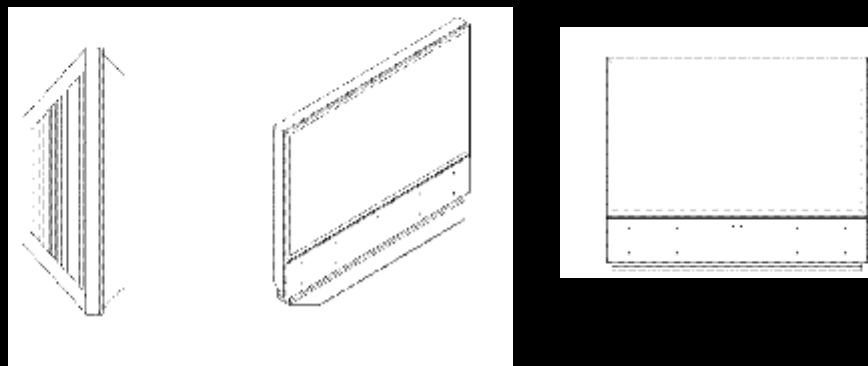
	DOMINO 30H	DOMINO 20H	DOMINO 18
INPUT/OUTPUTS			
1 x Composite video (RCA)	•	•	•
1 x S-VHS (mini Din 4 pin)	•	•	•
1 x RGBHV (Dsub 15 pin - PC input)	•	•	•
1 x RGBS/Y/CbS (4xRCA)	•	•	•
1 x RS232 (Dsub 9 pins)	•	•	•
1 x HDMI™-HDCP	•	•	-
1 x optical S/PDIF audio output from HDMI™	•	•	-
2 x OUT 12 V 100 mA (Jack)	•	•	1 x OUT

	DOMINO 30H	DOMINO 20H	DOMINO 18
CERTIFICATIONS			
Safety – in compliance with EN 60950/UL60950	•	•	•
Emission – in compliance with EN 55022 class	•	•	•
B/150 KHz – 30 MHz	•	•	•
Recyclable packaging	•	•	•

	DOMINO 30H	DOMINO 20H	DOMINO 18
SUPPLIED ACCESSORIES			
AC power cords (EU,UK, and USA) length 2m (6.5 ft)	•	•	1 (EU, UK)
User standard remote control with batteries	•	•	•
Installation and user manual	•	•	•

Technical features

DOMINO 55M
DOMINO 55
DOMINO 45



LIGHT ENGINE

DLP™ type: Proprietary sealed optical engine based on 1-chip DMD

	DOMINO 55M	DOMINO 55	DOMINO 45
Resolution:	1280x720 pixels	1280x720 pixels	1280x720 pixels

Lens: High quality, high resolution optics with both motorized zoom and focus adjustments

Lamp power consumption & life time: 120W, 6000 hours*

INSTALLATION

	DOMINO 55M	DOMINO 55	DOMINO 45
Picture size (inches diagonal):	55	55	45
Aspect Ratio: 4:3, 16:9, anamorphic, letterbox, panoramic, pixel to pixel + 3 custom-user adjustments	•	• + 2 custom-user adjustments	• + 2 custom-user adjustment

(*) Lamp life: the hours quoted have been calculated in a lab under strict test conditions. Lamp life varies depending on usage conditions and the surrounding environment. The calculated lamp life cannot be guaranteed and is not protected by warranty

ELECTRONICS

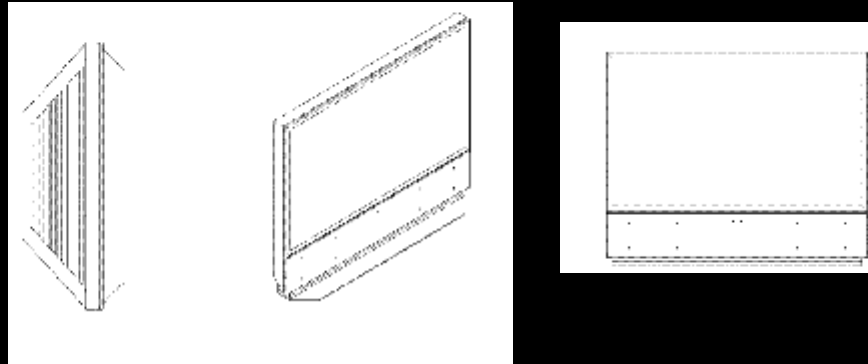
	DOMINO 55M	DOMINO 55	DOMINO 45
Horizontal & vertical scan freq.: 15-80 KHz/48-100 Hz	•	•	•
Video standards (automatically selected): PAL B, G, H, I, M, N, 60, SECAM, NTSC 3.58 & 4.43	•	no PAL (M, N)	no PAL (M, N)
HDTV ATSC standards: 480p, 1080i, 720p, 576p + 1080i 50 Hz.	•	•	•
Graphic resolution standards: VGA, SVGA, XGA, SXGA, UXGA @ 60 Hz.	•	•	•
On-board video processing	•	•	•
Contrast ratio (Full On/Full Off):	>2100:1	>1800:1	>1800:1
Colour temperature: 3 preset colour temperatures selectable by OSD + 1 user adjustment (RGB)	•	•	•
Special Adjustments: noise reduction	•	-	-
Other special adjustments: memories/overscan	•	-	-
Hyperband tuner: 100 channels	-	•	•
Tuner: PAL (B/G, D/K, I) SECAM (B/G, D/K, L)	-	•	•
Audio: 2 x 15W RMS with built-in amplifier	-	•	•
Audio: SRS TXT surround and equalizer	-	•	•
Sleep timer / child lock	-	•	•
Teletext level: 1,5 - FLOP	-	•	•

INPUT/OUTPUTS

	DOMINO 55M	DOMINO 55	DOMINO 45
Aerial75 Ohm	-	1	1
SCART 1: 1 composite video or 1 RGB + L/R audio	-	•	•
SCART 2: 1 composite video + L/R audio	-	•	•
Amplified L/R audio - input	1	-	-
L/R audio (RCA) - input	-	3	3
L/R audio (RCA) - output	-	1	1
Earphones output	-	1	1
Subwoofer (RCA)	-	1	1
Composite Video (RCA)	1	1	1
S-Video (mini Din 4 pin)	1	1	1
RGBS/YCrCb (RCA)	-	1	1
RGBHV/YCrCb (RCA)	2	-	-
RGBHV (D-Sub 15 pin)	1	1	1
OUT Audio 20W/4 Ohm	-	3	3
HDMI™	1	-	-
OUT Digital Audio (Toslink)	1	-	-
RS232 (D-Sub 9 pin)	1	1 (SW update only)	1 (SW update only)

Technical features

DOMINO 55M
DOMINO 55
DOMINO 45



DOMINO 55M

DOMINO 55

DOMINO 45

SUPPLIED ACCESSORIES

AC power cords (EU,UK, and USA) length 2m (6.5 ft)	•	• (EU, UK)	1 (EU, UK)
User standard remote control with batteries	•	•	•
Installation and user manual	•	•	•

DOMINO 55M

DOMINO 55

DOMINO 45

GENERAL SPECIFICATIONS

Control: control software upgradable via RS232 serial interface	•	•	•
Power consumption:	170W max	220W max	220W max
Mains Voltage range & frequency: 120-240 Vac +/-10%, 48/62 Hz	•	•	•
Weight:	55 Kg. (121.3 lbs)	54 Kg.(119 lbs)	37 Kg. (81.57 lbs)
Cabinet dimensions (WxHxD):	1317x980x405mm (51.9"x38.6"x15.9")	1317x980x405mm (51.9"x38.6"x15.9")	1090x850x330mm (42.9"x33.5"x13")

CERTIFICATIONS

Safety – in compliance with EN 60950/UL60950	•	•	•
Emission – in compliance with EN 55022 class	•	•	•
B/150 KHz – 30 MHz	•	•	•
Recyclable packaging	•	•	•

