

*Grand Cinema*

USER AND INSTALLATION  
MANUAL

MANUALE D'USO ED  
INSTALLAZIONE



**FLOOR AND CEILING BRACKET**



**HT BRKT STYLE**



**WWW.SIM2.IT**

## HT 200

Dim. diagonale schermo (pollici) Diagonal screen size (inches)	4/3						16/9					
	Base schermo Screen width		Projection distance				Base schermo Screen width		Projection distance			
			min		max				min		max	
m	in.	m	ft.	m	ft.	m	in.	m	ft.	m	ft.	
50	1,02	40,0	2,34	7,68	3,21	10,53	1,11	43,6	2,55	8,35	3,50	11,48
60	1,22	48,0	2,80	9,19	3,85	12,64	1,33	52,3	3,06	10,02	4,20	13,77
70	1,42	56,0	3,27	10,73	4,49	14,75	1,55	61,0	3,56	11,69	4,90	16,07
80	1,63	64,0	3,74	12,27	5,14	16,85	1,77	69,7	4,07	13,36	5,60	18,36
90	1,83	72,0	4,21	13,81	5,78	18,96	1,99	78,4	4,58	15,03	6,30	20,66
100	2,03	80,0	4,67	15,32	6,42	21,07	2,21	87,2	5,09	16,71	7,00	22,95
120	2,44	96,0	5,61	18,41	7,71	25,28	2,66	104,6	6,11	20,05	8,39	27,54
150	3,05	120,0	7,01	23,00	9,63	31,60	3,32	130,7	7,64	25,06	10,49	34,43
180	3,66	144,0	8,41	27,59	11,56	37,92	3,98	156,9	9,17	30,07	12,59	41,31
200	4,06	160,0	9,35	30,68	12,84	42,13	4,43	174,3	10,18	33,41	-	-
220	4,47	176,0	10,28	33,73	-	-	4,87	191,8	11,20	36,75	-	-
250	5,08	200,0	11,68	38,32	-	-	5,53	217,9	12,73	41,76	-	-

## HT 250

Dim. diagonale schermo (pollici) Diagonal screen size (inches)	4/3						16/9					
	Base schermo Screen width		Projection distance				Base schermo Screen width		Projection distance			
			min		max				min		max	
m	in.	m	ft.	m	ft.	m	in.	m	ft.	m	ft.	
50	1,02	40,0	2,34	7,35	3,05	10,00	1,11	43,6	2,44	7,99	3,32	10,89
60	1,22	48,0	2,68	8,79	3,66	12,00	1,33	52,3	2,92	9,59	3,98	13,07
70	1,42	56,0	3,13	10,27	4,27	14,00	1,55	61,0	3,41	11,19	4,65	15,25
80	1,63	64,0	3,58	11,75	4,88	16,00	1,77	69,7	3,90	12,78	5,31	17,43
90	1,83	72,0	4,02	13,19	5,49	18,00	1,99	78,4	4,38	14,38	5,98	19,61
100	2,03	80,0	4,47	14,67	6,10	20,00	2,21	87,2	4,87	15,98	6,64	21,79
120	2,44	96,0	5,36	17,59	7,32	24,00	2,66	104,6	5,84	19,17	7,97	26,15
150	3,05	120,0	6,71	22,01	9,14	30,00	3,32	130,7	7,31	23,97	9,96	32,68
180	3,66	144,0	8,05	26,41	10,97	36,00	3,98	156,9	8,77	28,77	11,95	39,22
200	4,06	160,0	8,94	29,33	12,19	40,00	4,43	174,3	9,74	31,96	-	-
220	4,47	176,0	9,83	32,25	-	-	4,87	191,8	10,71	35,15	-	-
250	5,08	200,0	11,18	36,68	-	-	5,53	217,9	12,18	39,95	-	-

## HT 200 Dual Mode

Diagonale schermo (pollici) Diagonal screen size (inches)	4/3						16/9									
	Base schermo Screen width		Mode 4/3 Projection distance				Mode 16/9 Projection distance				Base schermo Screen width		Mode 16/9 Projection distance			
			min		max		min		max				min		max	
m	in.	m	ft.	m	ft.	m	ft.	m	ft.	m	in.	m	ft.	m	ft.	
50	1.02	40.0	2.32	7.61	3.17	10.39	2.19	7.19	2.99	9.80	1.11	43.6	2.39	7.84	3.25	10.66
60	1.22	48.0	2.79	9.15	3.80	12.47	2.63	8.63	3.58	11.76	1.33	52.3	2.86	9.38	3.91	12.83
70	1.42	56.0	3.25	10.66	4.43	14.55	3.07	10.06	4.18	13.72	1.55	61.0	3.34	10.96	4.56	14.96
80	1.63	64.0	3.72	12.20	5.07	16.62	3.51	11.50	4.78	15.68	1.77	69.7	3.82	12.53	5.21	17.09
90	1.83	72.0	4.18	13.71	5.70	18.70	3.94	12.94	5.38	17.64	1.99	78.4	4.30	14.11	5.86	19.23
100	2.03	80.0	4.64	15.22	6.33	20.78	4.38	14.38	5.97	19.60	2.21	87.2	4.77	15.65	6.51	21.36
120	2.44	96.0	5.57	18.27	7.60	24.94	5.26	17.25	7.17	23.52	2.66	104.6	5.73	18.80	7.81	25.62
150	3.05	120.0	6.97	22.87	9.50	31.17	6.57	21.56	8.96	29.40	3.32	130.7	7.16	23.49	9.76	32.02
180	3.66	144.0	8.36	27.43	11.40	37.40	7.89	25.88	10.75	35.28	3.98	156.9	8.59	28.18	11.72	38.45
200	4.06	160.0	9.29	30.48	12.67	41.56	8.76	28.75	11.95	39.20	4.43	174.3	9.55	31.33	-	-
220	4.47	176.0	10.22	33.53	-	-	9.64	31.63	-	-	4.87	191.8	10.50	34.45	-	-
250	5.08	200.0	11.61	38.09	-	-	10.96	35.94	-	-	5.53	217.9	11.94	39.17	-	-

**a** = Distanza soffitto-centro schermo

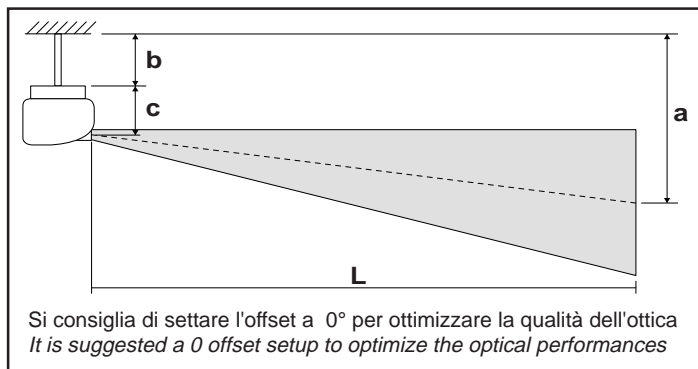
**a** = Distance between the ceiling and the center of the screen

**b** = lunghezza staffa (m) 0,46 max

**b** = bracket length (ft)

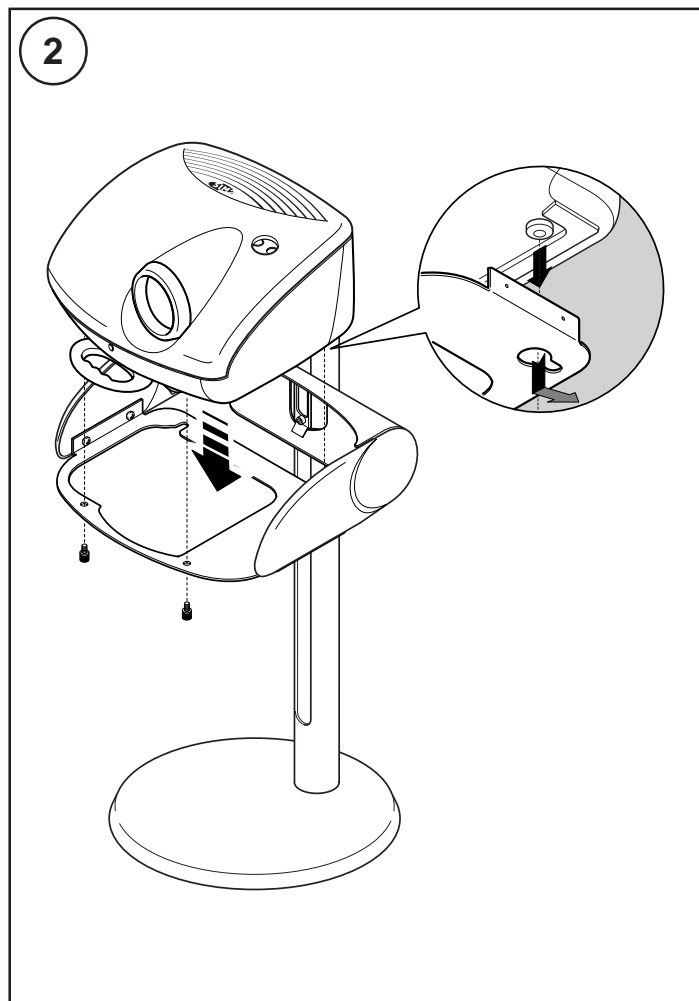
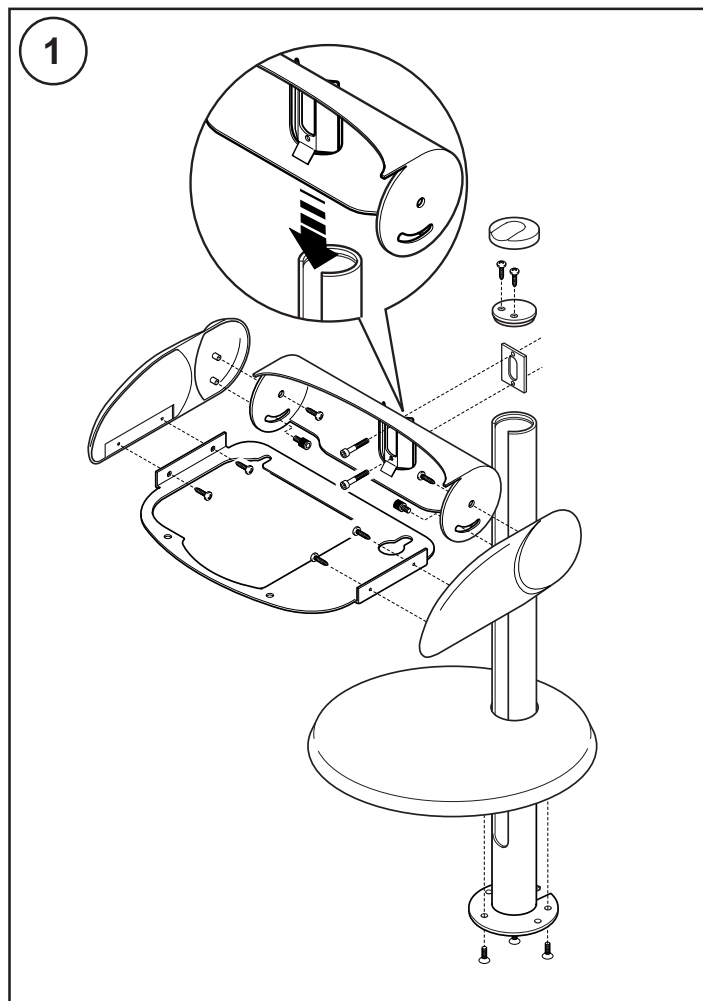
**L** = Distanza tra proiettore e schermo

**L** = Projector ÷ screen distance

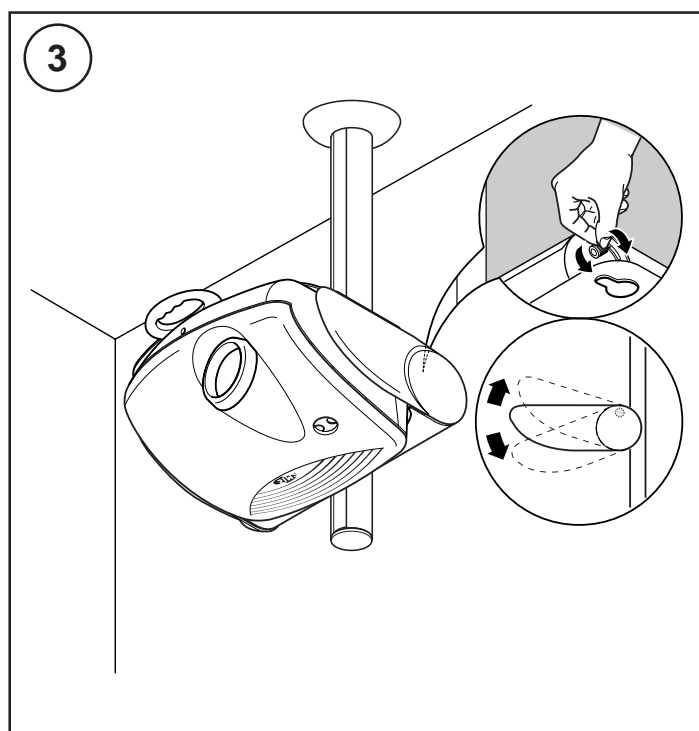
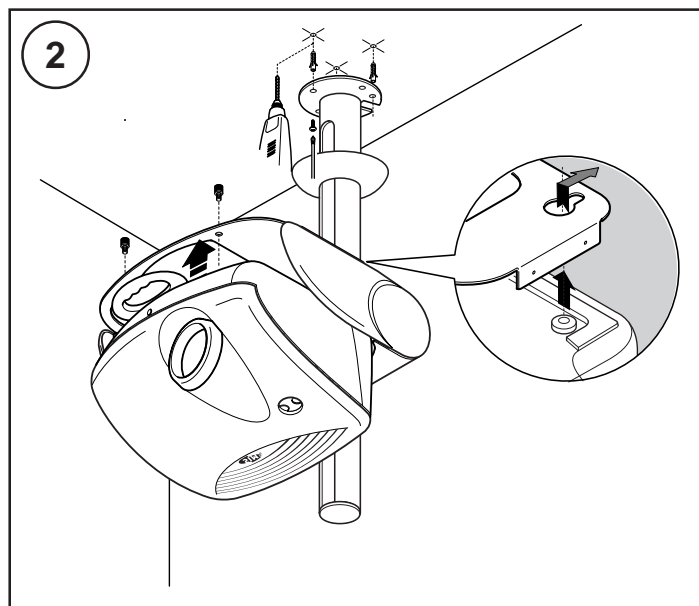
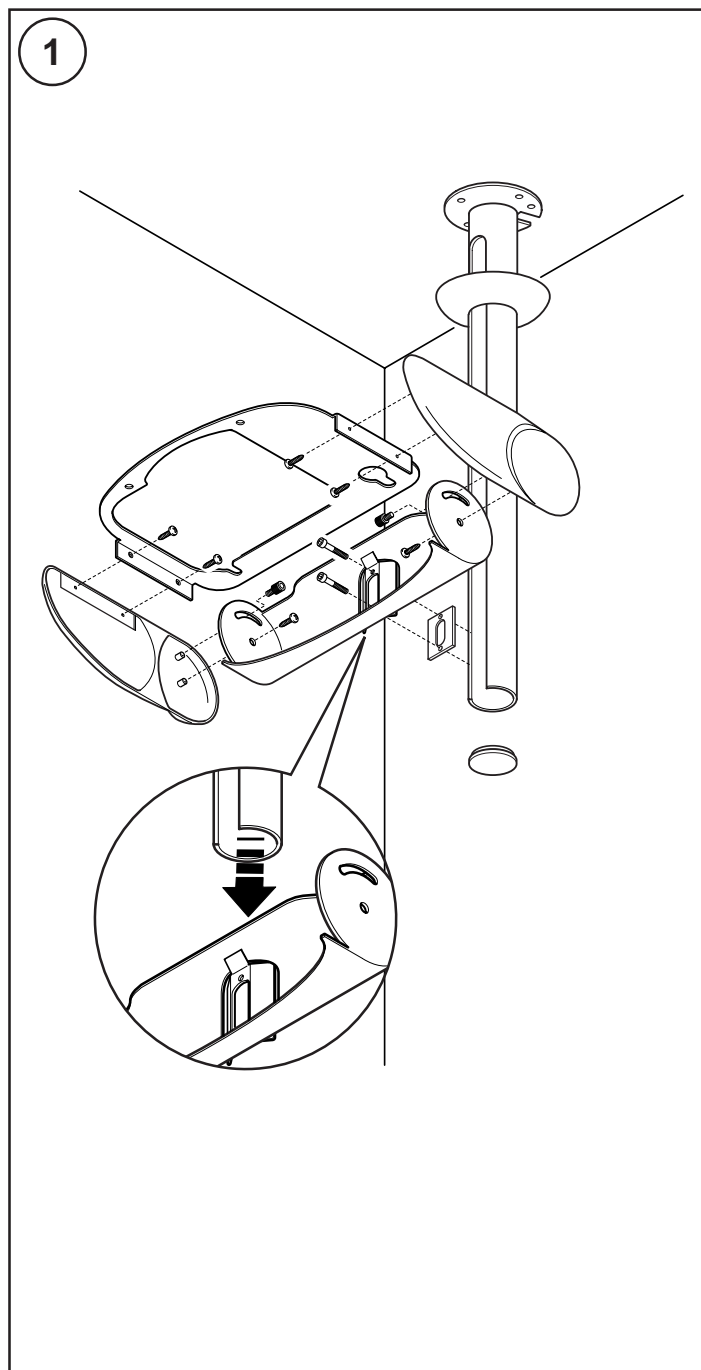


- Per una migliore qualità dell'immagine si suggerisce di privilegiare l'impiego dell'offset ottico al keystoneing elettronico .  
*For the best image quality it is suggested to prefer the optical offset to the electronic keystoneing .*
- Per quanto concerne l'installazione a parete valgono le stesse distanze indicate nell' USER MANUAL.  
*As with regards to the wall-installation please refer to the USER MANUAL-PROJECTION DISTANCES.*
- Per la centratura dello schermo, va considerato che la lente di proiezione ha un offset laterale rispetto al centro del proiettore di 75 mm.  
*For properly matching the centre of the screen, please consider the 75 mm lateral offset of the projection lens as regards to center of the projector.*

## INSTALLAZIONE DEL PROIETTORE A PAVIMENTO FLOOR INSTALLATION



## INSTALLAZIONE DEL PROIETTORE A SOFFITTO CEILING INSTALLATION



Per collegare il proiettore ad un soffitto in blocchi di cemento o in mattoni, praticare un foro del diametro di 12 mm e della profondità di 65 mm con un trapano.

*To attach the projector to a solid concrete block ceiling or brick ceiling drill 12mm dia. holes 65mm deep.*

SIM2 Multimedia is certified



- Due to the constant product development, specifications and design might be subject to change without notice.
- A causa dello sviluppo continuo del prodotto, specifiche e progetto potrebbero subire modifiche senza preavviso.