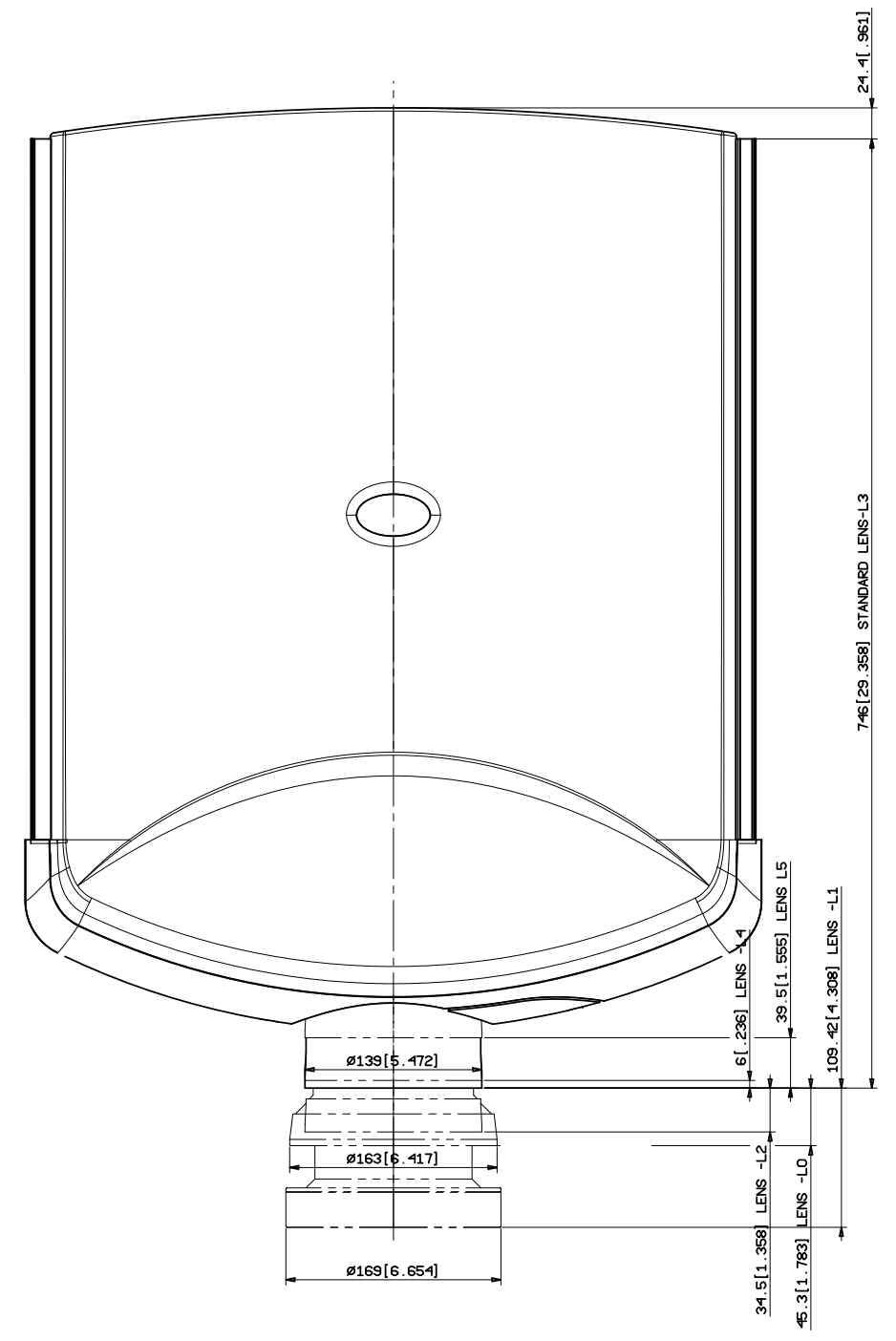
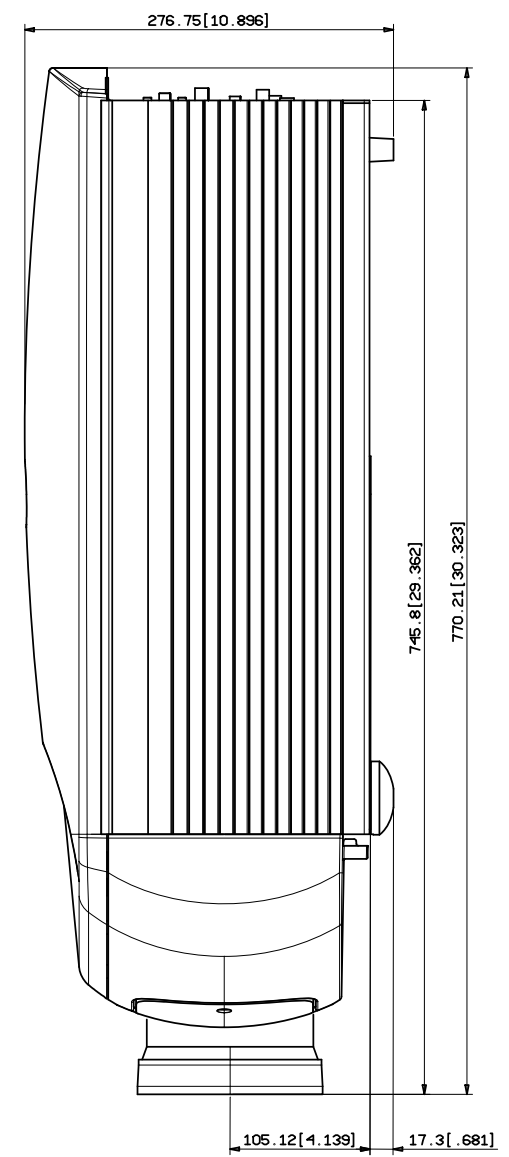
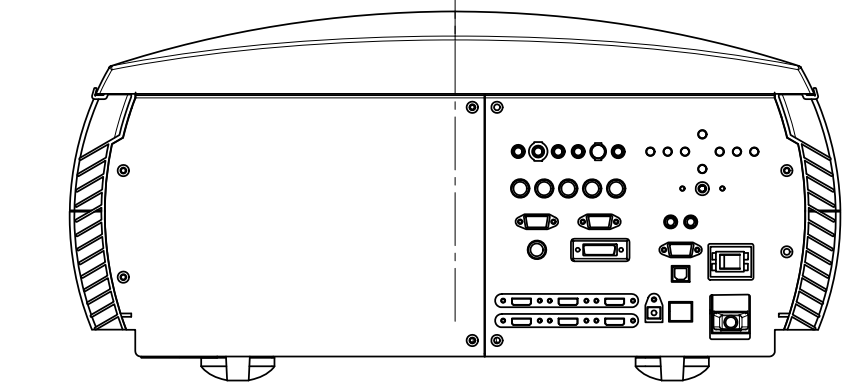
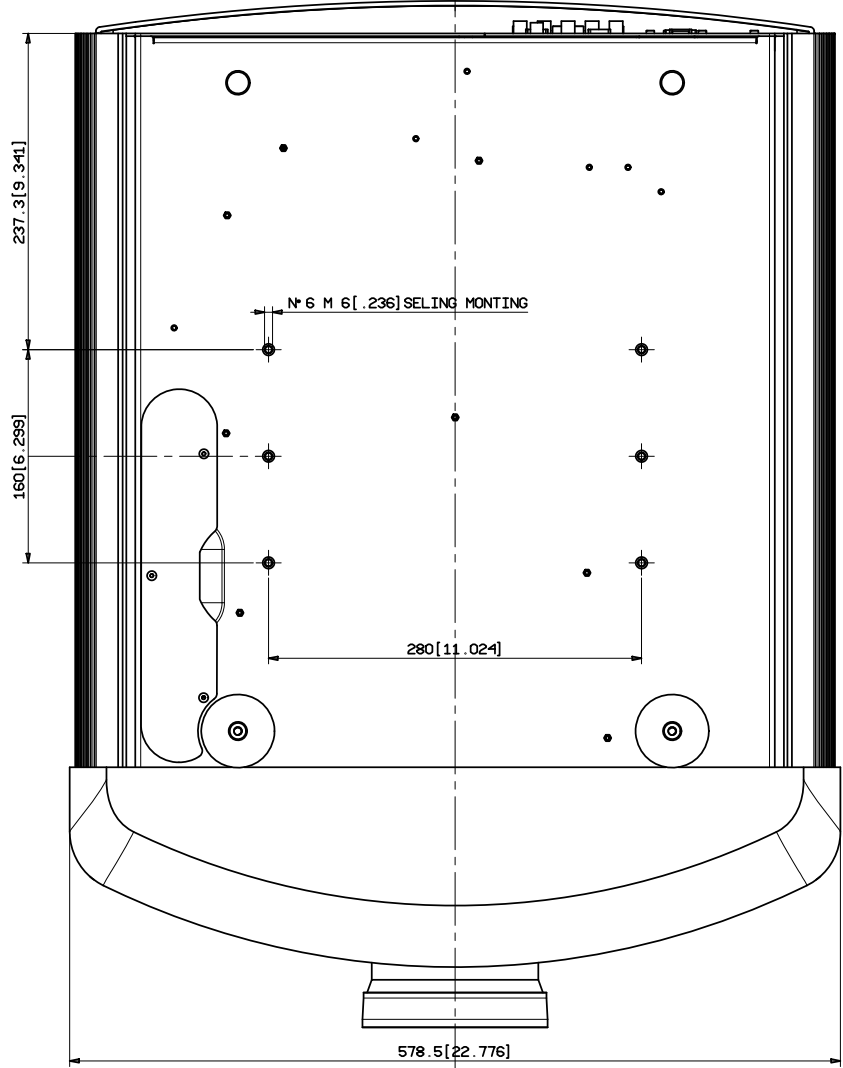
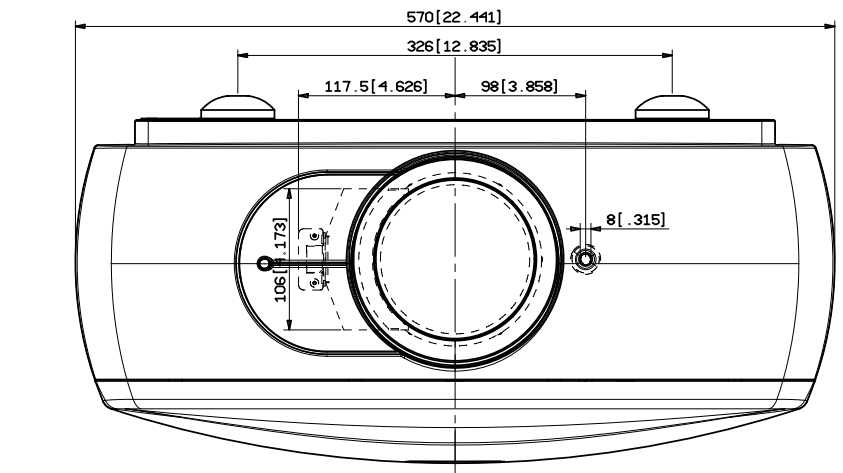


24 23 22 21 20 19 18 17 16 15 14 13 12 11 10 9 8 7 6 5 4 3 2 1

The drawing contains confidential information. It is not to be distributed outside the company. It is not to be used for reproduction without the written permission of SIM2 Multimedia.

GENERAL COLOUR FINISHES
 4# 0.5-3 3.4.5 6.1.28 10.5 12.5 15.5 18.5 20.5 23.5 26.5 29.5 32.5 35.5 38.5 41.5 44.5 47.5 50.5 53.5 56.5 59.5 62.5 65.5 68.5 71.5 74.5 77.5 80.5 83.5 86.5 89.5 92.5 95.5 98.5 101.5 104.5 107.5 110.5 113.5 116.5 119.5 122.5 125.5 128.5 131.5 134.5 137.5 140.5 143.5 146.5 149.5 152.5 155.5 158.5 161.5 164.5 167.5 170.5 173.5 176.5 179.5 182.5 185.5 188.5 191.5 194.5 197.5 200.5 203.5 206.5 209.5 212.5 215.5 218.5 221.5 224.5 227.5 230.5 233.5 236.5 239.5 242.5 245.5 248.5 251.5 254.5 257.5 260.5 263.5 266.5 269.5 272.5 275.5 278.5 281.5 284.5 287.5 290.5 293.5 296.5 299.5 302.5 305.5 308.5 311.5 314.5 317.5 320.5 323.5 326.5 329.5 332.5 335.5 338.5 341.5 344.5 347.5 350.5 353.5 356.5 359.5 362.5 365.5 368.5 371.5 374.5 377.5 380.5 383.5 386.5 389.5 392.5 395.5 398.5 401.5 404.5 407.5 410.5 413.5 416.5 419.5 422.5 425.5 428.5 431.5 434.5 437.5 440.5 443.5 446.5 449.5 452.5 455.5 458.5 461.5 464.5 467.5 470.5 473.5 476.5 479.5 482.5 485.5 488.5 491.5 494.5 497.5 500.5 503.5 506.5 509.5 512.5 515.5 518.5 521.5 524.5 527.5 530.5 533.5 536.5 539.5 542.5 545.5 548.5 551.5 554.5 557.5 560.5 563.5 566.5 569.5 572.5 575.5 578.5 581.5 584.5 587.5 590.5 593.5 596.5 599.5 602.5 605.5 608.5 611.5 614.5 617.5 620.5 623.5 626.5 629.5 632.5 635.5 638.5 641.5 644.5 647.5 650.5 653.5 656.5 659.5 662.5 665.5 668.5 671.5 674.5 677.5 680.5 683.5 686.5 689.5 692.5 695.5 698.5 701.5 704.5 707.5 710.5 713.5 716.5 719.5 722.5 725.5 728.5 731.5 734.5 737.5 740.5 743.5 746.5 749.5 752.5 755.5 758.5 761.5 764.5 767.5 770.5 773.5 776.5 779.5 782.5 785.5 788.5 791.5 794.5 797.5 800.5 803.5 806.5 809.5 812.5 815.5 818.5 821.5 824.5 827.5 830.5 833.5 836.5 839.5 842.5 845.5 848.5 851.5 854.5 857.5 860.5 863.5 866.5 869.5 872.5 875.5 878.5 881.5 884.5 887.5 890.5 893.5 896.5 899.5 902.5 905.5 908.5 911.5 914.5 917.5 920.5 923.5 926.5 929.5 932.5 935.5 938.5 941.5 944.5 947.5 950.5 953.5 956.5 959.5 962.5 965.5 968.5 971.5 974.5 977.5 980.5 983.5 986.5 989.5 992.5 995.5 998.5 1000



ESEGUIRE IL PEZZO IN CONFORMITÀ ALLA DIRETTIVA RHM 2002/95/CE
 TO PRODUCE THE PIECE TO ACCORD WITH RHM DIRECTIVE 2002/95/CE

MODEL	HT 5000	REVISION	1/2	DATE	15.08.07
AUTORE	SANDRON	PRODOTTO DA	TEATRO 50	REVISIONI	1 of 2
TITOLO	TEATRO 50	REVISIONI	1 of 2	REVISIONI	1 of 2

SIM2
 Multimedia

VARIANT NUMBER: _____ MODEL: _____ CHANGES FROM THE BASE NUMBER: _____