

24 23 22 21 20 19 18 17 16 15 14 13 12 11 10 9 8 7 6 5 4 3 2 1

The drawing contains confidential information. It is not to be distributed outside the company. It is not to be used for any other purpose without the written consent of the company.

GENERAL NOTES:

1. Check dimensions with a micrometer for accuracy.

2. All dimensions are in millimeters.

3. All dimensions are in millimeters.

4. All dimensions are in millimeters.

5. All dimensions are in millimeters.

6. All dimensions are in millimeters.

7. All dimensions are in millimeters.

8. All dimensions are in millimeters.

9. All dimensions are in millimeters.

10. All dimensions are in millimeters.

11. All dimensions are in millimeters.

12. All dimensions are in millimeters.

13. All dimensions are in millimeters.

14. All dimensions are in millimeters.

15. All dimensions are in millimeters.

16. All dimensions are in millimeters.

17. All dimensions are in millimeters.

18. All dimensions are in millimeters.

19. All dimensions are in millimeters.

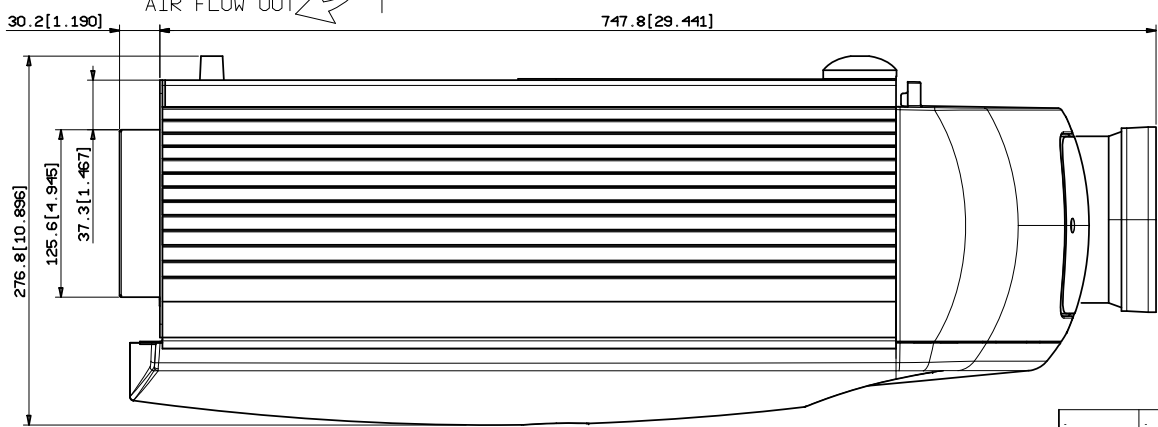
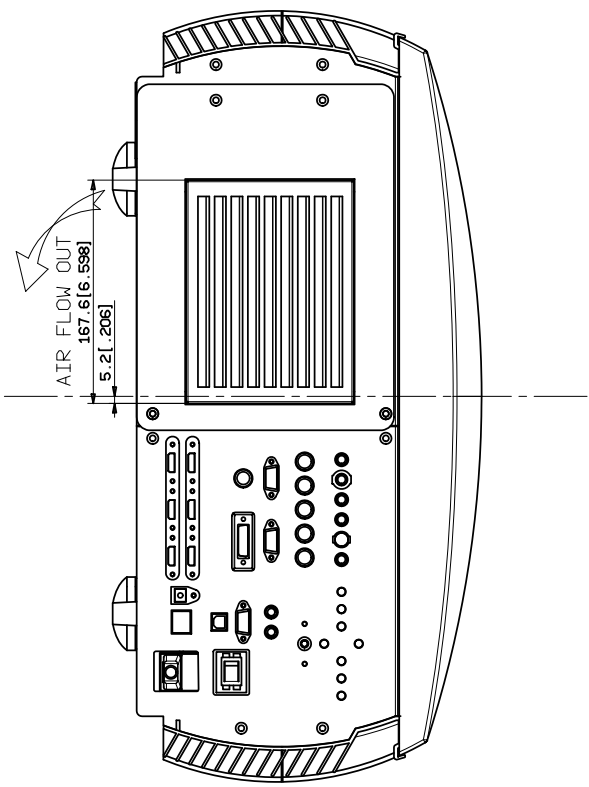
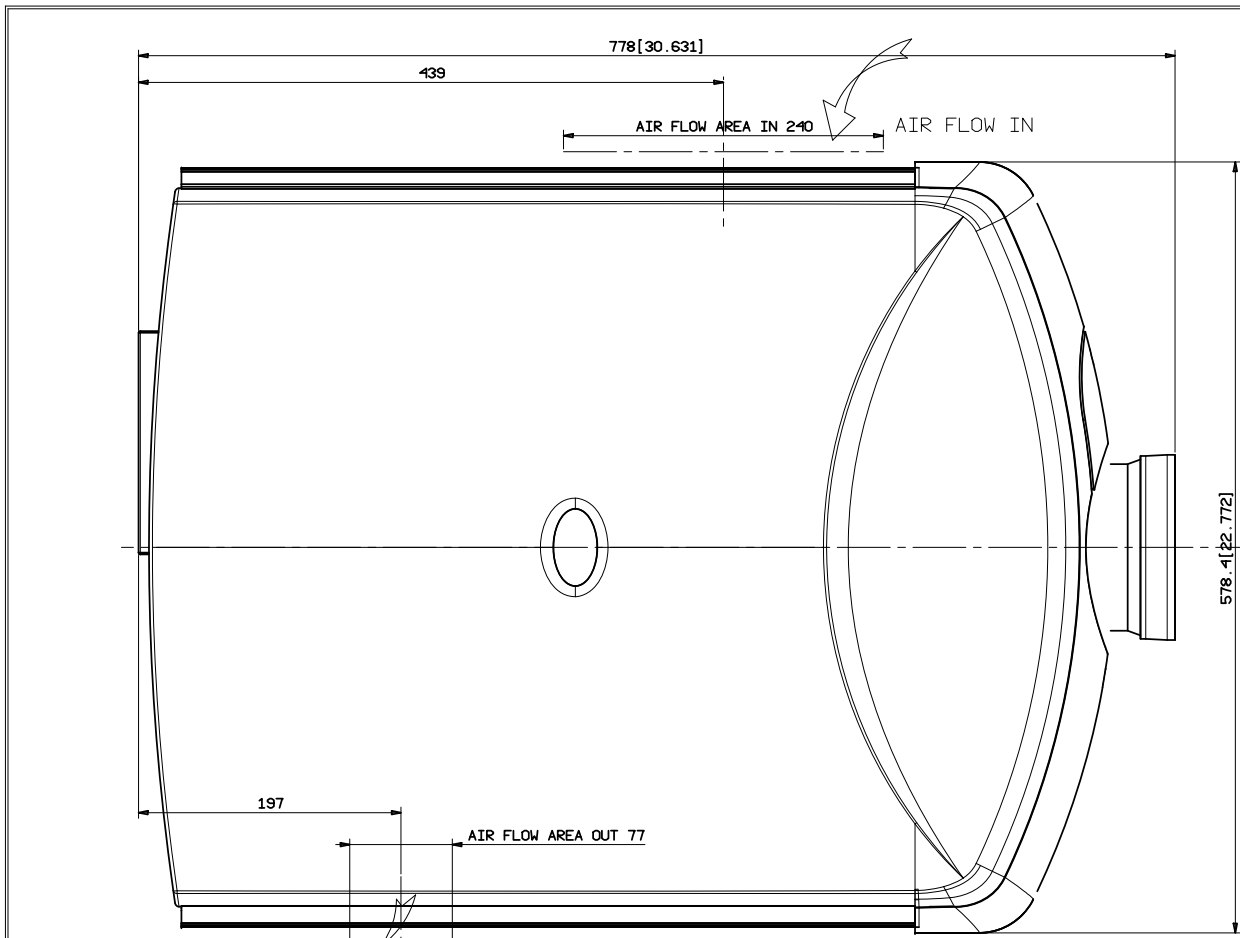
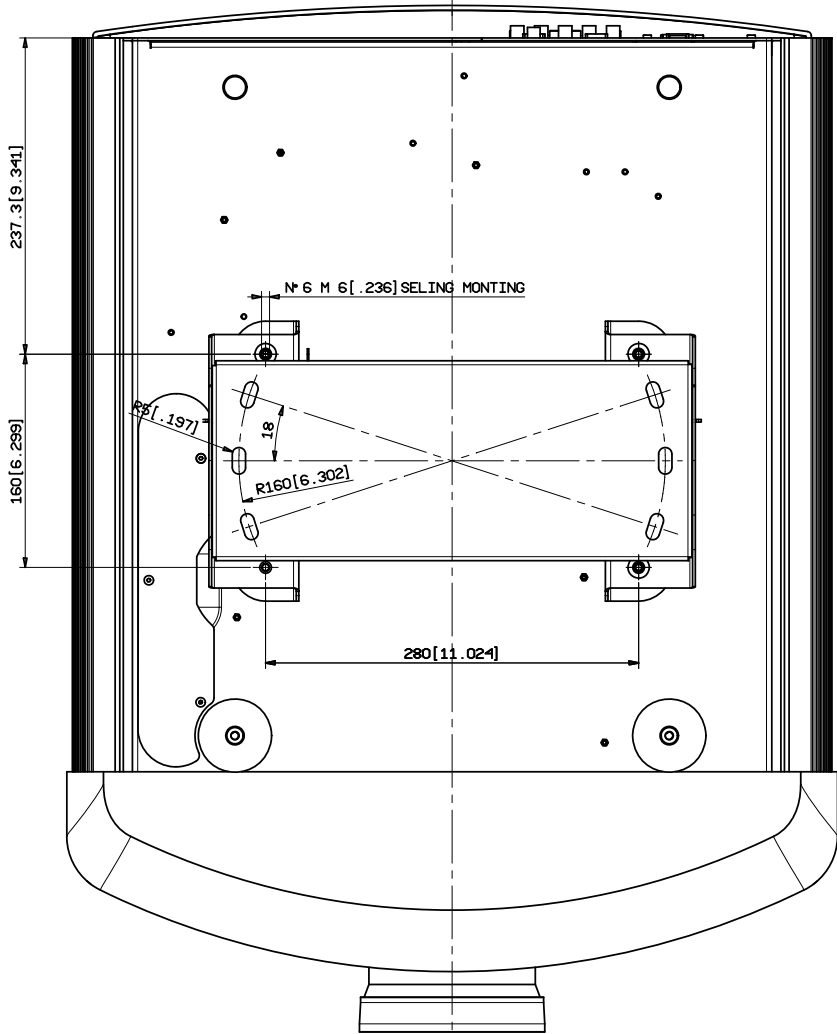
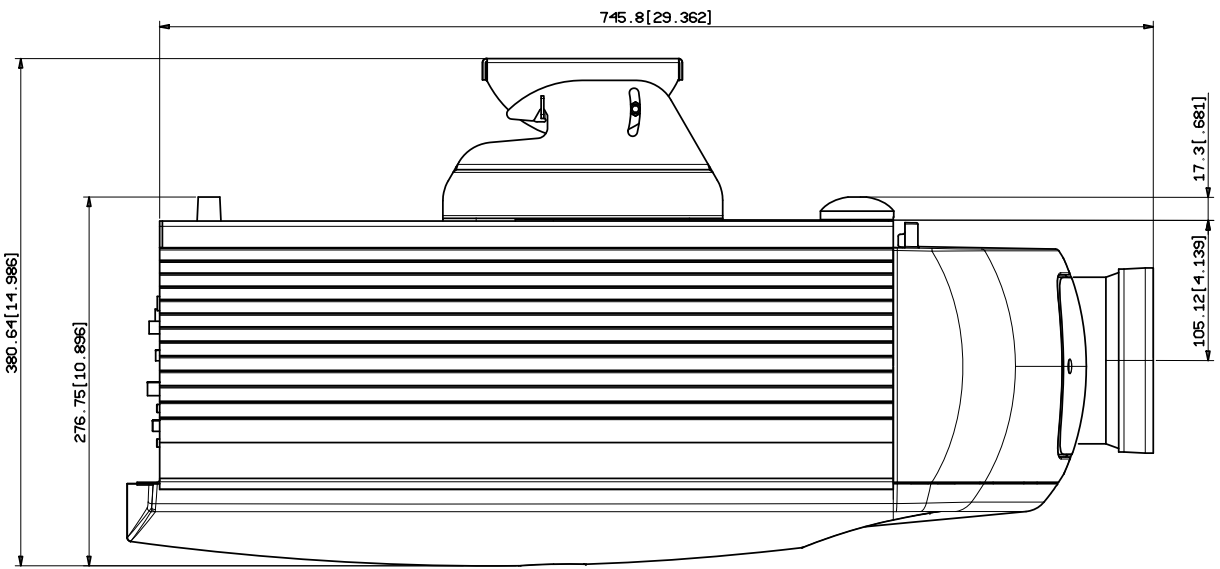
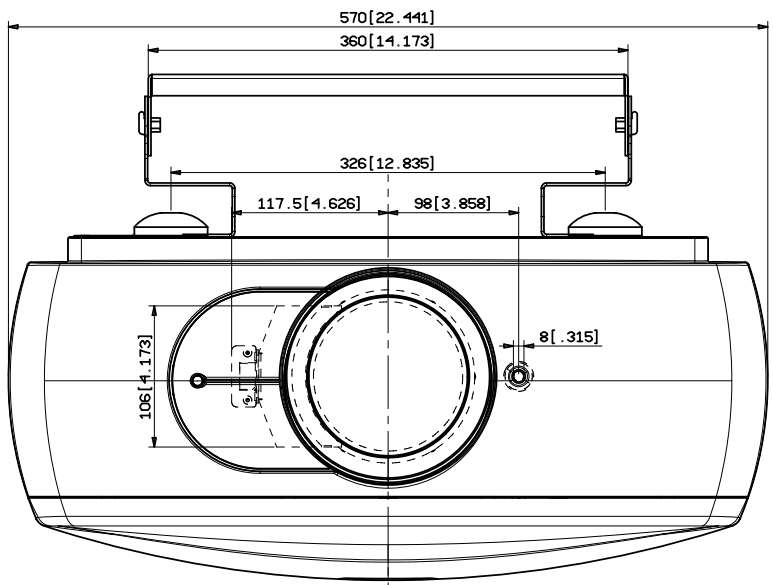
20. All dimensions are in millimeters.

21. All dimensions are in millimeters.

22. All dimensions are in millimeters.

23. All dimensions are in millimeters.

24. All dimensions are in millimeters.



TEATRO 80

ESIGERE IL PREZZO IN CONFORMITÀ ALLA DIRETTIVA RHN 2002/95/CE
 TO PRODUCE THE PRICE TO ACCORDIN WITH RHN5 DIRECTIVE 2002/95/CE

| | | | | |
|----------|--------------------|---------------|---------|------|
| MODEL | HT 5000 | SIGNATURE | REQUEST | DATE |
| REVISION | 1/2 | DATE | 2 of 2 | |
| DATE | 15.08.07 | DESIGNED FROM | | |
| AUTHOR | SANDRON | CHECKED BY | | |
| TITLE | TEATRO 50 ASSEMBLY | NUMBER | TEATRO | |

SIM2 Multimedia

| | | |
|----------------|-------|------------------------------|
| VARIANT NUMBER | MODEL | CHANGES FROM THE BASE NUMBER |
| | | |
| | | |