

NERO 3D-1

Technical Specifications

www.sim2.com/home/en/content/nero-3d-1

Compact and commanding, NERO 3D-1 shares much of the technology from SIM2's award-winning LUMIS 3-chip series to bring a world of entertainment into your living room. NERO 3D-1 is compatible with all of today's video sources, including 3D⁽¹⁾. The NERO 3D-1 utilizes the latest DarkChip 1080p (1920 x 1080 pixel resolution) DMD and SIM2's patented ALPHAPATH™ optical light engine in its design; this combination of digital micro-mirror device and precision glass optics produces images of excellent clarity and color accuracy. A powerful 280W lamp provides up to 1600 lumens of light output and a native contrast ratio of >10,000:1. SIM2's NERO 3D-1 sports PureMovie, PureAction, and PureAction 3D user modes and SIM2's Live Colors Calibration 2.0 software for complete control over primary, secondary and white point color coordinates in both 2D and 3D. For ease of installation, a choice of three high-quality glass lenses (T1, T2 & T3) is available for the NERO line, giving the projectors a total throw ratio of 1.37-3.9:1. The NERO sports an elegant cabinet in a contemporary soft-touch black finish.

TYPICAL APPLICATIONS

Small/medium home theater with controlled lighting.

⁽¹⁾ A SIM2 3D emitter and glasses pack is required to initiate 3D feature (sold separately).



DISPLAY

Technology: 1 x 0.95" DMD
Resolution: Full-HD - 1920 x 1080 pixels
Light source: 280W UHP lamp
3D features⁽¹⁾ and SIM2's PureAction 2D/3D & PureMovie 2D technology
BrilliantColor™ Technology
Contrast ratio (Full ON/OFF): >10,000:1
Brightness⁽¹⁾: 1,600 Ansi Lumens

INSTALLATION

Lens Options (throw ratio): 1.37-1.66:1 (type T1); 1.82-2.48 (type T2); 2.6-3.9 (type T3)
Optical shift: Vertical up to +50%, down -10% max from screen center (based on image height)
Digital Keystone: Vertical +/-18 degree
Picture size (inches diagonal): 50-200
Aspect ratio: 4:3, 16:9, Anamorphic, Letterbox, Panoramic, pixel-to-pixel, subtitle + 3 custom-user adjustments

ELECTRONICS AND CONNECTIVITY

Horiz. & Vertical scan freq.: 15-80 kHz/48-120 Hz
Color System: PAL (B,G,H,I,M,N,60); SECAM; NTSC 3.58; NTSC 4.43; **PC graphic standards:** VGA, SVGA, XGA, SXGA, UXGA, WUXGA; **SDTV:** 480i/p, 576i/p; **HDTV:** 720p 50/60, 1080i 50/60, 1080p 24/50/60 + 576p

INPUTS/OUTPUTS

2x HDMI (v.1.4 with Deep Color)
 1x Composite Video (RCA)
 1x Graphic RGBHV (D-sub HD15 pins)
 1x Component - YCbCr/RGBs (RCA)
 1x RS-232 (D-sub 9 pins)
 1x USB (B type)
 3D Sync Out
 3x 12V 100mA output

GENERAL SPECIFICATIONS

Software control: upgradable via RS-232 serial interface or USB
Power supply: 100-240 VAC +/-10% (48/62 Hz)
Power consumption: max. 440W
Projector weight: 11 kg. / 24.3 lb
Projector dimensions (WxHxD): 459 x 210 x 455 mm (18.1" x 8.3" x 17.9")
Projector shipping weight: 19 Kg. / 41.9 lbs.
Projector packaging dimensions (WxHxD): 710 x 490 x 610 (28" x 19.3" x 24")

STANDARD ACCESSORIES

Installation and user manual, AC power cords (2m-6.6 ft); backlit remote control and batteries
 Live Colors Calibration software 2.0



⁽¹⁾ ANSI Lumens specification: This is the typical projector brightness specification found in most sales literature. This measurement allows for direct comparison with other manufacturer's projectors. Measurements are taken in a totally dark test room with brand new lamp at full power, lamp's native white color temperature, internal test pattern (full white) and in compliance with ANSI IT7.228-1997 specification.

ORDERING CODES

PRODUCT NAME ⁽²⁾	EAN CODE
NERO3D-1T1MB	8025581006113
NERO3D-1T2MB	8025581006120
NERO3D-1T3MB	8025581006137

⁽²⁾ Product name = pj model + lens type + cabinet color

NERO 3D-1

Technical Specifications

www.sim2.com/home/en/content/nero-3d-1

OPTIONAL ACCESSORIES



SIM2 VISUS Active glasses
(4 pcs.) + emitter⁽¹⁾
RF - EAN code 8025581006502



SIM2 VISUS Luxury Box
8 additional Active glasses
IR - EAN code 8025581006038
RF - EAN code 8025581006526



SIM2 VISUS SYSTEM Luxury Box
7 Active glasses + emitter
IR - EAN code 8025581006021
RF - EAN code 8025581006519



PANAMORPH Anamorphic lens systems⁽¹⁾
Static - EAN code 8025581006564
Motorized⁽²⁾ - EAN code 8025581006571



High Quality ISCO Anamorphic lens systems⁽¹⁾
Static - EAN code 8025581006588
Motorized⁽²⁾ - EAN code 8025581006595



Universal Ceiling bracket
EAN code 8025581006441

⁽¹⁾ A SIM2 3D emitter and glasses pack is required to initiate 3D feature

⁽¹⁾ PANAMORPH and ISCO systems include an integrated ceiling bracket for projector, lens and ⁽²⁾ motorized sled.
Please verify throw ratio and projector distance when ordering.



we work for excellence

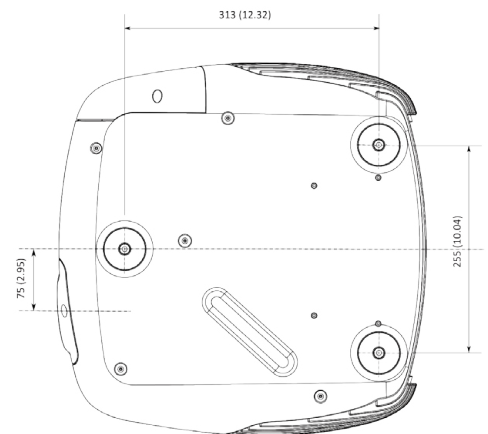
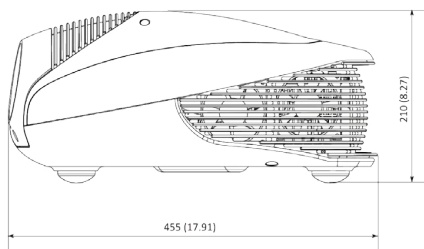
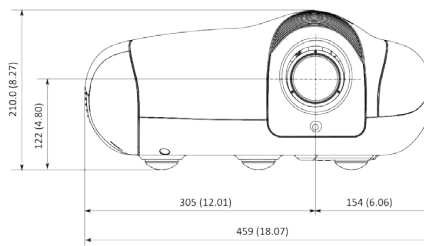


CHOICE OF DIFFERENT LENS OPTIONS FOR FLEXIBILITY IN INSTALLATIONS

Diagonal screen size (16:9 aspect ratio)	LENS T1 (1.37-1.66:1)		LENS T2 (1.75-2.48:1)		LENS T3 (2.54-3.9:1)	
	min.	max.	min.	max.	min.	max.
100"	3.1 m / 10' 2"	3.6 m / 11' 10"	3.9 m / 12' 9"	5.4 m / 17' 8"	5.7 m / 18' 8"	8.6 m / 28' 3"
120"	3.7 m / 12' 1"	4.4 m / 14' 5"	4.7 m / 15' 5"	6.5 m / 21' 4"	6.8 m / 22' 4"	10.3 m / 33' 9"
150"	4.6 m / 15' 1"	5.5 m / 18'	5.9 m / 19' 4"	8.2 m / 26' 11"	8.5 m / 27' 11"	12.9 m / 42' 4"
180"	5.5 m / 18'	6.5 m / 21' 4"	7.0 m / 22' 11"	9.8 m / 32' 2"	10.2 m / 33' 5"	15.5 m / 50' 10"
200"	6.1 m / 20'	7.3 m / 23' 11"	7.8 m / 25' 7"	10.9 m / 35' 9"	11.3 m / 37' 1"	17.2 m / 56' 5"

Throw distance: It is recommended not to use the minimum or maximum projector throw ratios for your installation. Accurate positioning of the projector is better achieved by avoiding these two extremes. // Due to constant product development, the calculated projection distance and value may have a margin of error. Please check with your SIM2 representative prior to placing the order.

PROJECTOR'S DIMENSIONS - MEASURES = MM (INCHES)



HEADQUARTERS:
SIM2 MULTIMEDIA S.p.A.
33170 Pordenone - Italy
Tel. +39.0434.383259
info@sim2.it
www.sim2.com

USA:
SIM2 USA Inc.
Miramar, FL 33025
Tel. +1.954.442.2999
sales@sim2usa.com
www.sim2usa.com

UK:
SIM2 UK Ltd.
East Sussex TN22 5TT
Tel. +44.1825.750850
info@sim2.co.uk
www.sim2.co.uk

CHINA:
SIM2 BRIONVEGA Co. Ltd.
200080 Shanghai, P.R.C.
Tel. +86.21.62881991
infoCHINA@sim2.com
www.sim2.com

GERMANY:
SIM2 DEUTSCHLAND GmbH
60325 Frankfurt am Main
info@sim2.de
www.sim2.de