

# LUMIS 3D-S

## Technical Specifications

[www.sim2.com/home/en/content/lumis-3d-s](http://www.sim2.com/home/en/content/lumis-3d-s)

The Grand Cinema™ LUMIS 3D-S projector achieves extraordinary picture quality through the partnership of the latest 0,95" 1080p DC4 DLP® chipset from Texas Instruments, the precision optics of SIM2's ALPHAPATH™ light engine, and 3D Triple Flash technology (144 Hz) for a smoother, natural, and fatigue-free 3D viewing experience. SIM2 was the first manufacturer outside of the DCI group to offer Triple Flash technology, the 3D delivery system that is used in professional cinema installations to provide the best motion rendition possible (72 fps per eye per second). No other projector technology can match the superb color depth, excellent contrast ratio (up to 30,000:1 with Dynamic Black™ in 2D mode) and exceptional brightness (3000 ANSI Lumens in 2D mode) that the LUMIS 3D-S is able to deliver. Fine adjustments for all image parameters are available on this projector. Also, to aid calibration, the Grand Cinema™ LUMIS 3D-S features SIM2's advanced Live Colors Calibration 2 software that enables complete adjustment of the primary, secondary and white point color coordinates of the projector. The ability to visualize extraordinary 3D images that totally involve the viewer in the movie experience, makes the Grand Cinema™ LUMIS 3D-S a unique product.

### TYPICAL APPLICATION

Best projector technology for a true "Hollywood" picture-quality experience at home. Designed for use with large screen sizes (up to 5m – 16.5 ft wide).



### DISPLAY

**Technology:** 3 x 0.95" DC4 DMDs  
**Resolution:** Full-HD - 1920 x 1080 pixels  
**Light source:** 280W UHP lamp (dimnable to 230 W)  
 3D features and **TripleFlash** technology (144Hz)  
 SIM2's PureAction 2D/3D & PureMovie 2D technology  
 SIM2 **DynamicBlack™** Technology enhanced solution  
**Contrast ratio** (Full ON/OFF): >30,000:1 with DynamicBlack™ technology (2D mode)  
**Brightness** <sup>(1)</sup>: up to 3,000 Ansi Lumens (in 2D mode)

### INSTALLATION

**Lens Options (throw ratio):** 1.37-1.66:1 (type T1); 1.82-2.48:1 (type T2); 2.6-3.9:1 (type T3)  
**Optical shift:** Vertical up to +50%, down -10% max from screen center (based on image height)  
**Digital Keystone:** Vertical +/-18 degree  
**Picture size** (inches diagonal): 50-300  
**Aspect ratio:** 4:3, 16:9, Anamorphic, Letterbox, Panoramic, pixel-to-pixel, subtitle + 3 custom-user adjustments

### ELECTRONICS AND CONNECTIVITY

**Horiz. & Vertical scan freq.:** 15-80 kHz/48-144 Hz  
**Color System:** PAL (B,G,H,I,M,N,60); SECAM; NTSC 3.58; NTSC 4.43; **PC graphic standards:** VGA, SVGA, XGA, SXGA, UXGA, WUXGA; **SDTV:** 480i/p, 576i/p; **HDTV:** 720p 50/60, 1080i 50/60, 1080p 24/50/60 + 576p

### INPUTS/OUTPUTS

2x HDMI (v.1.4 with Deep Color)  
 1x Composite Video (RCA)  
 1x Graphic RGBHV (D-sub HD15 pins)  
 1x Component - YCbCr/RGBs (RCA)  
 1x RS-232 (D-sub 9 pins)  
 1x USB (B type)  
 3D Sync Out  
 3x 12V 100mA output

### GENERAL SPECIFICATIONS

**Software control:** upgradable via RS-232 serial interface or USB  
**Power supply:** 100-240 VAC +/-10% (48/62 Hz)  
**Power consumption:** max. 440W  
**Projector weight:** 11 kg. / 24.3 lbs  
**Projector dimensions** (WxHxD): 459 x 210 x 455 mm (18.1" x 8.3" x 17.9")  
**Projector shipping weight:** 19 Kg. / 41.9 lbs.  
**Projector packaging dimensions** (WxHxD): 710 x 490 x 610 (28" x 19.3" x 24")

### STANDARD ACCESSORIES

Installation and user manual, AC power cords (2m-6.6 ft); backlit remote control and batteries  
 Live Colors Calibration software 2.0  
 SIM2 VISUS Active Glasses (4 pcs.) and emitter

### CABINET COLOR OPTIONS



**Standard:** High gloss gun metal gray finish (DG)  
**Optional:** high gloss and matte red (RD) / black (BD) / white (WD) finish

### ORDERING CODES

PRODUCT NAME <sup>(2)</sup>	EAN CODE
LUMIS3D-ST1DG	8025581005611
LUMIS3D-ST2DG	8025581005628
LUMIS3D-ST3DG	8025581005635
LUMIS3D-ST1WD	8025581005529
LUMIS3D-ST2WD	8025581005536
LUMIS3D-ST3WD	8025581005543
LUMIS3D-ST1RD	8025581005550
LUMIS3D-ST2RD	8025581005567
LUMIS3D-ST3RD	8025581005574
LUMIS3D-ST1BD	8025581005581
LUMIS3D-ST2BD	8025581005598
LUMIS3D-ST3BD	8025581005604

<sup>(1)</sup> ANSI Lumens specification: This is the typical projector brightness specification found in most sales literature. This measurement allows for direct comparison with other manufacturer's projectors. Measurements are taken in a totally dark test room with brand new lamp at full power, lamp's native white color temperature, internal test pattern (full white) and in compliance with ANSI IT7.228-1997 specification.

<sup>(2)</sup> Product name = pj model + lens type + cabinet color

# LUMIS 3D-S

## Technical Specifications

[www.sim2.com/home/en/content/lumis-3d-s](http://www.sim2.com/home/en/content/lumis-3d-s)

### OPTIONAL ACCESSORIES



**SIM2 VISUS Luxury Box**  
8 additional Active glasses  
IR - EAN code 8025581006038  
RF - EAN code 8025581006526



**SIM2 VISUS SYSTEM Luxury Box**  
7 Active glasses + emitter  
IR - EAN code 8025581006021  
RF - EAN code 8025581006519



**PANAMORPH Anamorphic lens systems<sup>(1)</sup>**  
Static - EAN code 8025581006564  
Motorized<sup>(2)</sup> - EAN code 8025581006571



**High Quality ISCO Anamorphic lens systems<sup>(1)</sup>**  
Static - EAN code 8025581006588  
Motorized<sup>(2)</sup> - EAN code 8025581006595



**Universal Ceiling bracket**  
EAN code 8025581006441

<sup>(1)</sup> PANAMORPH and ISCO systems include an integrated ceiling bracket for projector, lens and <sup>(2)</sup> motorized sled.  
Please verify throw ratio and projector distance when ordering.

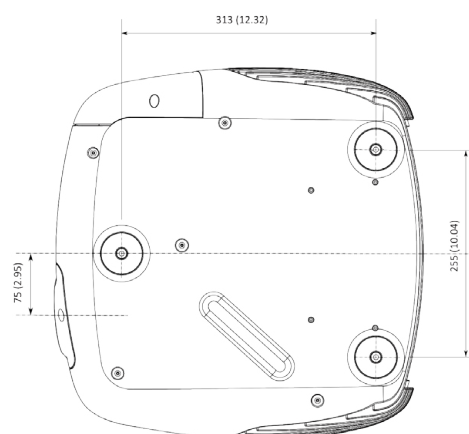
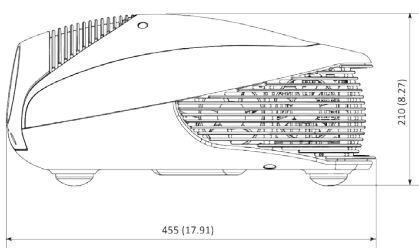
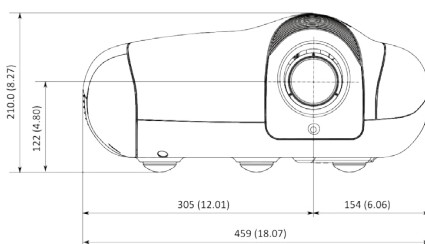


### CHOICE OF DIFFERENT LENS OPTIONS FOR FLEXIBILITY IN INSTALLATIONS

Diagonal screen size (16:9 aspect ratio)	LENS T1 (1.37-1.66:1)		LENS T2 (1.75-2.48:1)		LENS T3 (2.54-3.9:1)	
	min.	max.	min.	max.	min.	max.
100"	3.1 m / 10' 2"	3.6 m / 11' 10"	3.9 m / 12' 9"	5.4 m / 17' 8"	5.7 m / 18' 8"	8.6 m / 28' 3"
120"	3.7 m / 12' 1"	4.4 m / 14' 5"	4.7 m / 15' 5"	6.5 m / 21' 4"	6.8 m / 22' 4"	10.3 m / 33' 9"
150"	4.6 m / 15' 1"	5.5 m / 18'	5.9 m / 19' 4"	8.2 m / 26' 11"	8.5 m / 27' 11"	12.9 m / 42' 4"
180"	5.5 m / 18'	6.5 m / 21' 4"	7.0 m / 22' 11"	9.8 m / 32' 2"	10.2 m / 33' 5"	15.5 m / 50' 10"
200"	6.1 m / 20'	7.3 m / 23' 11"	7.8 m / 25' 7"	10.9 m / 35' 9"	11.3 m / 37' 1"	17.2 m / 56' 5"
220"	6.7 m / 22' 11"	8.0 m / 26' 3"	8.6 m / 28' 2"	12.0 m / 39' 4"	12.4 m / 40' 8"	18.9 m / 62'
250"	7.6 m / 24' 11"	9.1 m / 29' 10"	9.7 m / 31' 10"	13.7 m / 44' 11"	14.1 m / 46' 3"	21.5 m / 70' 6"
280"	8.5 m / 27' 10"	10.2 m / 33' 5"	10.9 m / 35' 9"	15.3 m / 50' 2"	15.8 m / 51' 10"	24.1 m / 79' 1"
300"	9.1 m / 29' 10"	11.0 m / 36' 1"	11.7 m / 38' 5"	16.4 m / 53' 9"	16.9 m / 55' 5"	25.9 m / 84' 11"

Throw distance: It is recommended not to use the minimum or maximum projector throw ratios for your installation. Accurate positioning of the projector is better achieved by avoiding these two extremes. // Due to constant product development, the calculated projection distance and value may have a margin of error. Please check with your SIM2 representative prior to placing the order..

### PROJECTOR'S DIMENSIONS - MEASURES = MM (INCHES)



we work for excellence

**HEADQUARTERS:**  
SIM2 MULTIMEDIA S.p.A.  
33170 Pordenone - Italy  
Tel. +39.0434.383259  
info@sim2.it  
www.sim2.com

**USA:**  
SIM2 USA Inc.  
Miramar, FL 33025  
Tel. +1.954.442.2999  
sales@sim2usa.com  
www.sim2usa.com

**UK:**  
SIM2 UK Ltd.  
East Sussex TN22 5TT  
Tel. +44.1825.750850  
info@sim2.co.uk  
www.sim2.co.uk

**CHINA:**  
SIM2 BRIONVEGA Co. Ltd.  
200080 Shanghai, P.R.C.  
Tel. +86.21.62881991  
infoCHINA@sim2.com  
www.sim2.com

**GERMANY:**  
SIM2 DEUTSCHLAND GmbH  
60325 Frankfurt am Main  
info@sim2.de  
www.sim2.de