

# LUMIS 3D-S UNO

## Technical Specifications

[www.sim2usa.com/home/us/content/lumis-3d-solo-uno](http://www.sim2usa.com/home/us/content/lumis-3d-solo-uno)

The Grand Cinema™ LUMIS 3D-S UNO projector has been specifically designed to offer exceptional performance, ease-of-use and room-friendly aesthetics. This, the first model in the Grand Cinema™ LUMIS 3D series, shares many of the technical attributes of SIM2's award-winning LUMIS 3D-S projector, to ensure an outstanding home theater experience.

Grand Cinema™ LUMIS 3D-S UNO blends exceptional sharpness and image stability, combined with superb black depth and contrast. SIM2's ALPHAPATH™ light engine, partnered with 0.95" 1080p DarkChip4 DLP® chipsets from Texas Instruments, enables the Grand Cinema™ LUMIS 3D-S UNO projector to achieve an excellent contrast ratio of 10,000:1 and an impressive brightness level of 2600 ANSI lumens. SIM2's Grand Cinema™ LUMIS 3D-S UNO is equipped with PureMovie, PureAction, and PureAction 3D user modes - each optimized for the various demands of movie, sports and 3D viewing – and SIM2's advanced Live Colors Calibration 2 software that enables complete adjustment of the primary, secondary and white point color coordinates of the projector. The Grand Cinema™ LUMIS 3D-S UNO is available in SIM2's classic high gloss dark gray (DG) finish.

### TYPICAL APPLICATION

Best projector technology for a true "Hollywood" picture-quality experience at home. Designed for use with mid/large screen sizes (up to 4m - 13ft wide).



### DISPLAY

**Technology:** 3 x 0.95" DC4 DMDs  
**Resolution:** Full-HD - 1920 x 1080 pixels  
**Light source:** 260W UHP lamp (dimnable to 230 W)  
**3D features and SIM2's PureAction 2D/3D & PureMovie 2D technology**  
**Contrast ratio (Full ON/OFF):** >10,000:1  
**Brightness <sup>(1)</sup>:** up to 2,600 Ansi Lumens (in 2D mode)

### INSTALLATION

**Lens Options (throw ratio):** 1.37-1.66:1 (type T1); 1.82-2.48:1 (type T2); 2.6-3.9:1 (type T3)  
**Optical shift:** Vertical up to +50%, down -10% max from screen center (based on image height)  
**Digital Keystone:** Vertical +/-18 degree  
**Picture size (inches diagonal):** 50-300  
**Aspect ratio:** 4:3, 16:9, Anamorphic, Letterbox, Panoramic, pixel-to-pixel, subtitle + 3 custom-user adjustments

### ELECTRONICS AND CONNECTIVITY

**Horiz. & Vertical scan freq:** 15-80 kHz/48-120 Hz  
**Color System:** PAL (B,G,H,I,M,N,60); SECAM; NTSC 3.58; NTSC 4.43; **PC graphic standards:** VGA, SVGA, XGA, SXGA, UXGA, WUXGA; **SDTV:** 480i/p, 576i/p; **HDTV:** 720p 50/60, 1080i 50/60, 1080p 24/50/60 + 576p

### INPUTS/OUTPUTS

2x HDMI (v.1.4 with Deep Color)  
 1x Composite Video (RCA)  
 1x Graphic RGBHV (D-sub HD15 pins)  
 1x Component - YCbCr/RGBs (RCA)  
 1x RS-232 (D-sub 9 pins)  
 1x USB (B type)  
 3D Sync Out  
 3x 12V 100mA output

### GENERAL SPECIFICATIONS

**Software control:** upgradable via RS-232 serial interface or USB  
**Power supply:** 100-240 VAC +/-10% (48/62 Hz)  
**Power consumption:** max. 440W  
**Projector weight:** 11 kg. / 24.3 lbs  
**Projector dimensions (WxHxD):** 459 x 210 x 455 mm (18.1"x8.3"x17.9")  
**Projector shipping weight:** 19 Kg. / 41.9 lbs.  
**Projector packaging dimensions (WxHxD):** 710 x 490 x 610 (28"x19.3"x24")

### STANDARD ACCESSORIES

Installation and user manual, AC power cords (2m-6.6 ft); backlit remote control and batteries  
 Live Colors Calibration software 2.0  
 SIM2 VISUS Active Glasses (4 pcs.) and emitter



<sup>(1)</sup> ANSI Lumens specification: This is the typical projector brightness specification found in most sales literature. This measurement allows for direct comparison with other manufacturer's projectors. Measurements are taken in a totally dark test room with brand new lamp at full power, lamp's native white color temperature, internal test pattern (full white) and in compliance with ANSI IT7.228-1997 specification.

### ORDERING CODE <sup>(2)</sup>

LUMIS 3D-S UNO T1 DG
LUMIS 3D-S UNO T2 DG
LUMIS 3D-S UNO T3 DG

<sup>(2)</sup> Ordering code = pj model name + lens type + cabinet color

# LUMIS 3D-S UNO

## Technical Specifications

www.sim2usa.com/home/us/content/lumis-3d-solo-uno



Due to constant product development, specifications are subject to change without notice. Leaflet LUMIS 3D-S UNO - USA - October 2012

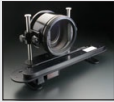
### OPTIONAL ACCESSORIES



**SIM2 VISUS Luxury Box set**  
8 additional Active glasses  
Ordering code: SIM2 VISUS 8 Luxury



**FLEX Anamorphic system<sup>(1)</sup>**  
Ordering code:  
Motorized LUMIS FLEX System



**High Quality SCOPE Anamorphic system<sup>(1)</sup>**  
Ordering code:  
Motorized LUMIS SCOPE System



**LUMIS Ceiling/Wall bracket**  
Ordering code: HT-1080LX

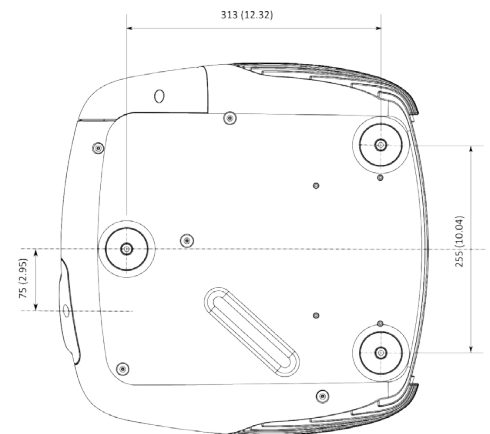
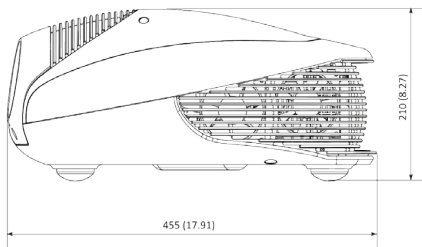
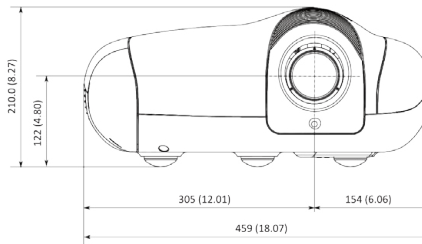
<sup>(1)</sup> SCOPE and FLEX systems include an integrated ceiling bracket for projector, lens and motorized sled. Please verify throw ratio and projector distance when ordering.

### CHOICE OF DIFFERENT LENS OPTIONS FOR FLEXIBILITY IN INSTALLATIONS

Diagonal screen size (16:9 aspect ratio)	LENS T1 (1.37-1.66:1)		LENS T2 (1.75-2.48:1)		LENS T3 (2.54-3.9:1)	
	min.	max.	min.	max.	min.	max.
100"	3.1 m / 10' 2"	3.6 m / 11' 10"	3.9 m / 12' 9"	5.4 m / 17' 8"	5.7 m / 18' 8"	8.6 m / 28' 3"
120"	3.7 m / 12' 1"	4.4 m / 14' 5"	4.7 m / 15' 5"	6.5 m / 21' 4"	6.8 m / 22' 4"	10.3 m / 33' 9"
150"	4.6 m / 15' 1"	5.5 m / 18'	5.9 m / 19' 4"	8.2 m / 26' 11"	8.5 m / 27' 11"	12.9 m / 42' 4"
180"	5.5 m / 18'	6.5 m / 21' 4"	7.0 m / 22' 11"	9.8 m / 32' 2"	10.2 m / 33' 5"	15.5 m / 50' 10"
200"	6.1 m / 20'	7.3 m / 23' 11"	7.8 m / 25' 7"	10.9 m / 35' 9"	11.3 m / 37' 1"	17.2 m / 56' 5"
220"	6.7 m / 22' 11"	8.0 m / 26' 3"	8.6 m / 28' 2"	12.0 m / 39' 4"	12.4 m / 40' 8"	18.9 m / 62'
250"	7.6 m / 24' 11"	9.1 m / 29' 10"	9.7 m / 31' 10"	13.7 m / 44' 11"	14.1 m / 46' 3"	21.5 m / 70' 6"
280"	8.5 m / 27' 10"	10.2 m / 33' 5"	10.9 m / 35' 9"	15.3 m / 50' 2"	15.8 m / 51' 10"	24.1 m / 79' 1"
300"	9.1 m / 29' 10"	11.0 m / 36' 1"	11.7 m / 38' 5"	16.4 m / 53' 9"	16.9 m / 55' 5"	25.9 m / 84' 11"

Throw distance: It is recommended not to use the minimum or maximum projector throw ratios for your installation. Accurate positioning of the projector is better achieved by avoiding these two extremes. // Due to constant product development, the calculated projection distance and value may have a margin of error. Please check with your SIM2 representative prior to placing the order.

### PROJECTOR'S DIMENSIONS - MEASURES = MM (INCHES)



we work for excellence

**USA:**  
SIM2 USA Inc.  
Miramar, FL 33025  
Tel. +1.954.442.2999  
sales@sim2usa.com  
www.sim2usa.com

**HEADQUARTERS:**  
SIM2 MULTIMEDIA S.p.A.  
33170 Pordenone - Italy  
Tel. +39.0434.383259  
info@sim2.it  
www.sim2.com