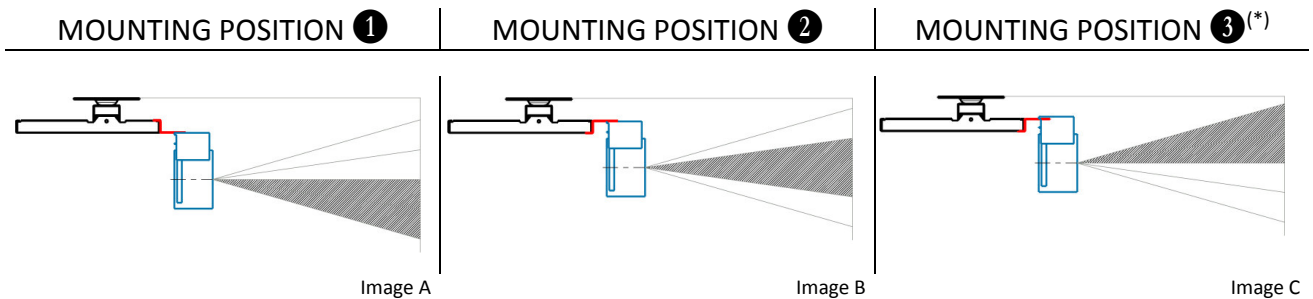
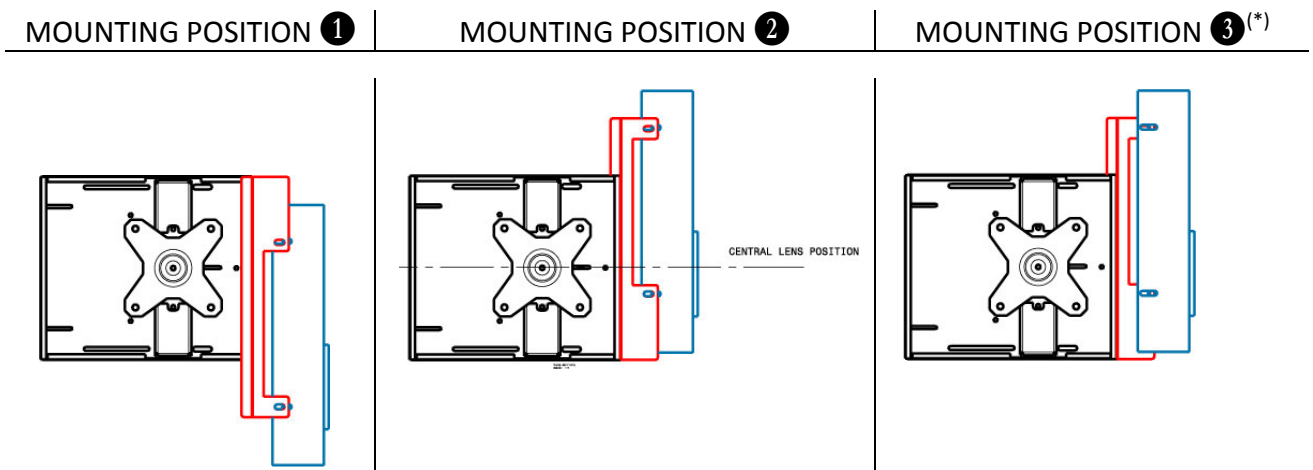


This guide show the three possible methods of mounting the anamorphic lens on the SFUNI bracket.

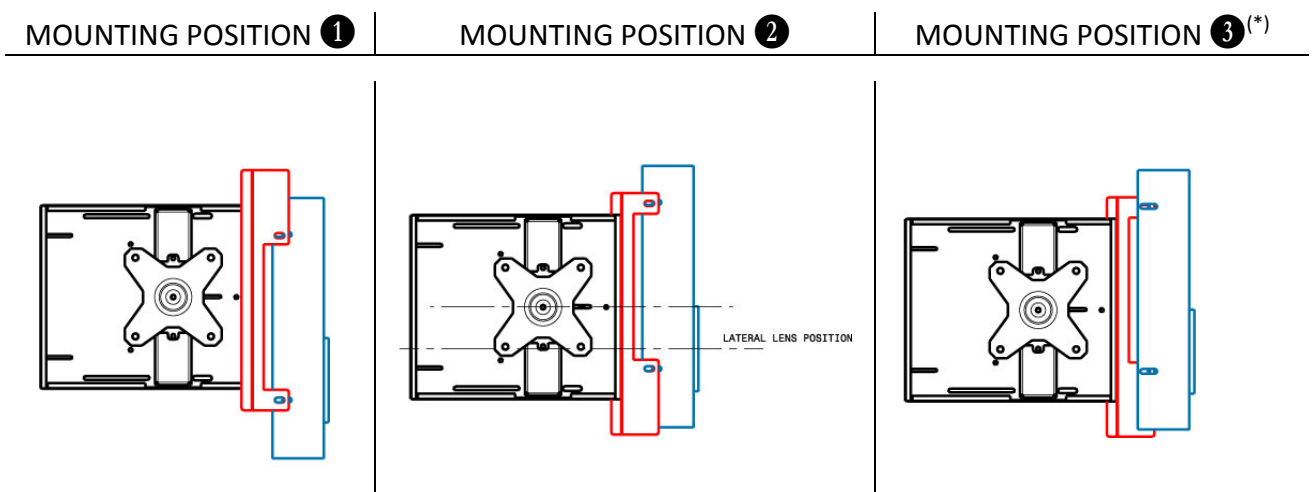
The position that best suits your needs have to be assessed in relation to the projection area desired (see images A, B, C)



CENTRAL LENS PROJECTOR (M.150, SIRIO, NERO3)



LATERAL LENS PROJECTOR (LUMIS, SUPERLUMIS, FUORISERIE, NERO3D)



(*) Warning: in this mounting method , the motorized slide is fixed above the bracket and not below as in the other mounting methods.