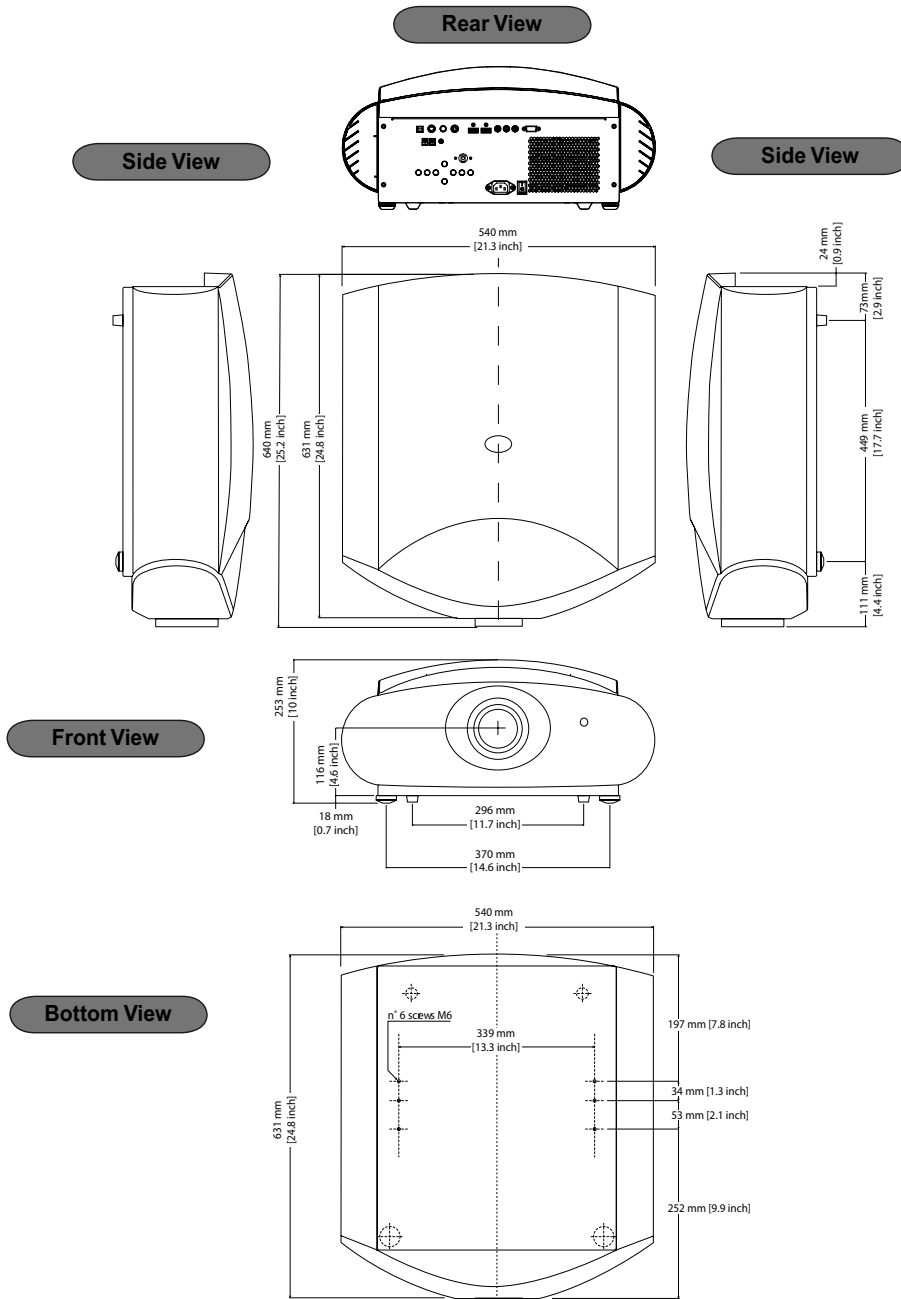


Short Throw Lens Dimension

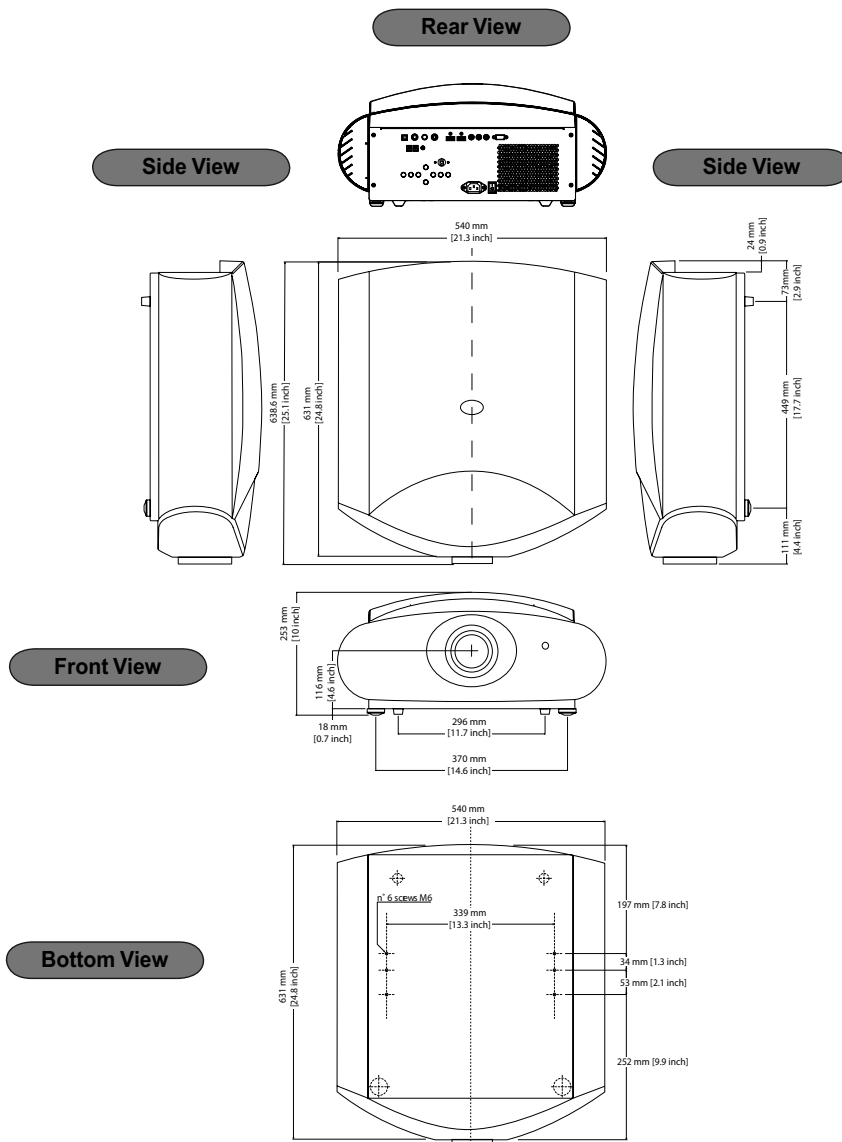
Units: mm (inch)



ENGLISH

Long Throw Lens Dimension

Unit: mm (inch)



Note

- Your projector comes with 6 screws in the bottom.
- Don't remove screws if you do not use ceiling mount.

- ⚠ Authorized technician should perform the installation only.
- ⚠ When using the ceiling mount bracket, the safety instructions provided with the bracket must be strictly observed. Placed the projector at the desired distance from the screen: the size of the projected image depends upon the distance between the lens and the screen and the zoom setting.
- ⚠ For ceiling/wall installation, by means of suspension bracket, carefully follow the instructions and safety instructions recommended by the manufacturer in the bracket's literature.