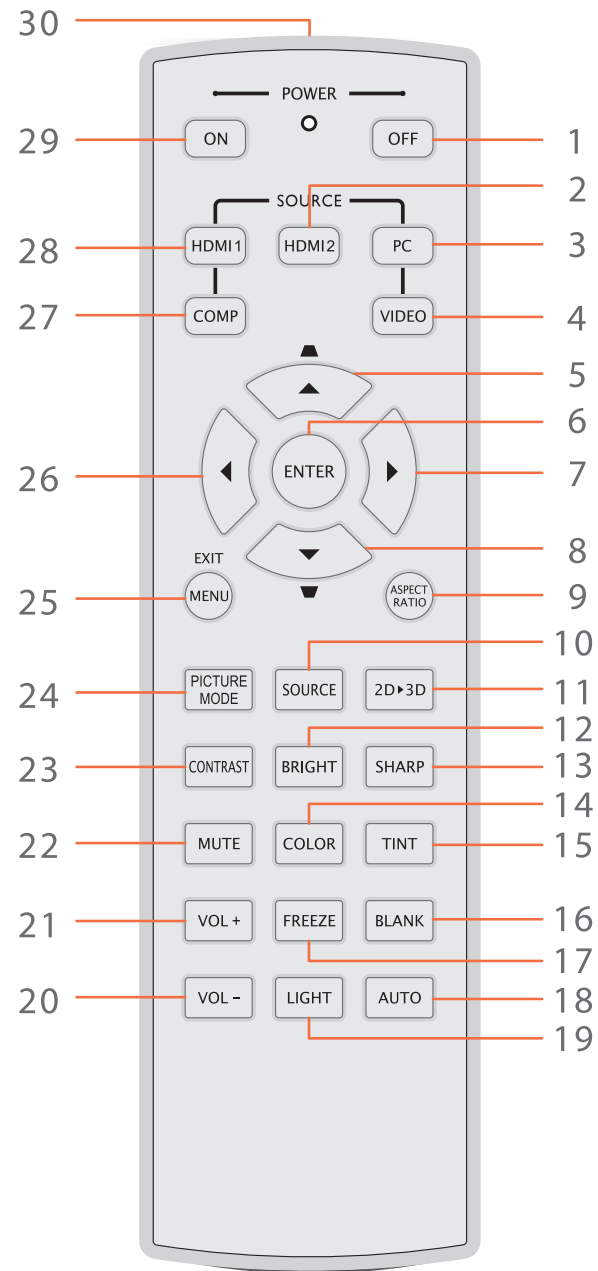


## The Remote Control

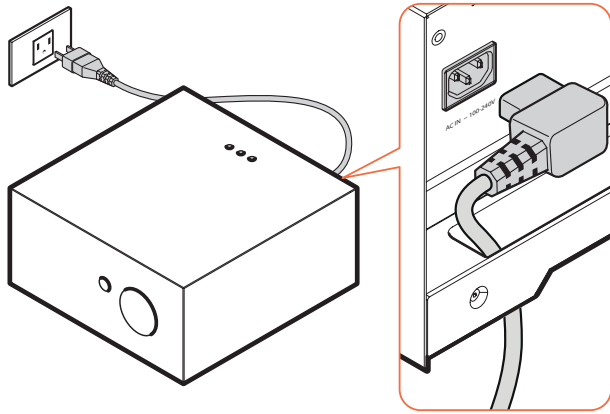


## The Remote Control Functions

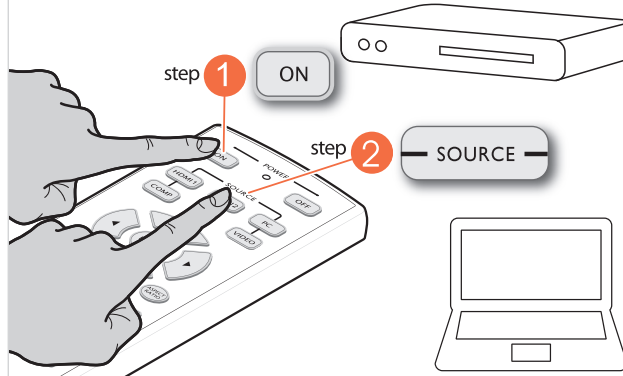
	Items	Description
1.	Power OFF	Turns the projector off
2.	HDMI 2	Displays the HDMI 2 source selection
3.	PC	Displays the PC source selection
4.	VIDEO	Displays the VIDEO source selection
5.	Up cursor/Keystone +	Navigates and changes settings in the OSD Quick Menu – For Keystone
6.	ENTER	Enters and confirms settings in the OSD
7.	Right cursor	Navigates and changes settings in the OSD
8.	Down cursor	
9.	ASPECT RATIO	Displays the ASSPECT RATIO selections
10.	SOURCE	Detects the input device
11.	2D „ 3D	Toggle 3D function
12.	BRIGHT	Displays the brightness setting bar
13.	SHARP	Displays the sharpness setting bar
14.	COLOR	Displays the color setting bar
15.	TINT	Displays the tint setting bar
16.	BLANK	Makes the screen blank
17.	FREEZE	Freezes/unfreezes the on-screen picture
18.	AUTO	Auto adjustment for frequency, phase, and position
19.	LIGHT	Turns on or off the remote control backlight for about 10 seconds. Pressing any other key while the backlight is on keeps the backlight on for a further 10 seconds.
20.	VOL -	Adjust the volume of the audio out
21.	VOL +	
22.	MUTE	Mutes the audio out
23.	CONTRAST	Displays the contrast settings bar
24.	PICTURE MODE	Changes the Display Mode setting
25.	MENU/EXIT	Opens and exits the OSD
26.	Left cursor	Navigates and changes settings in the OSD
27.	COMP	Displays the Component source selection
28.	HDMI 1	Displays the HDMI 1 source selection
29.	Power ON	Turns the projector on
30.	IR transmitter	Transmits signals to projector



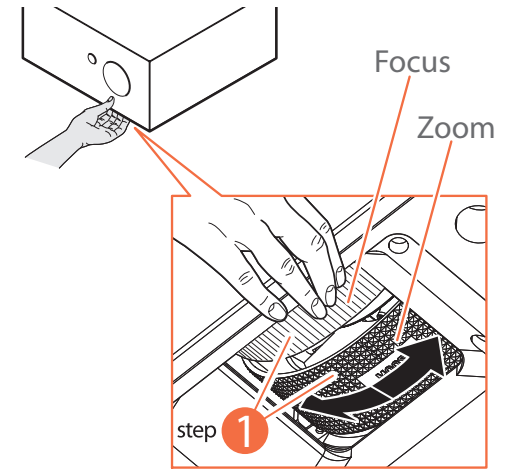
### 1. Connect Power



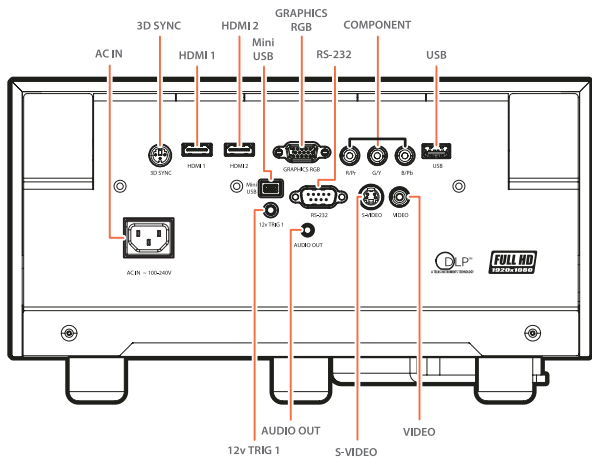
### 3. Power On & Select Source



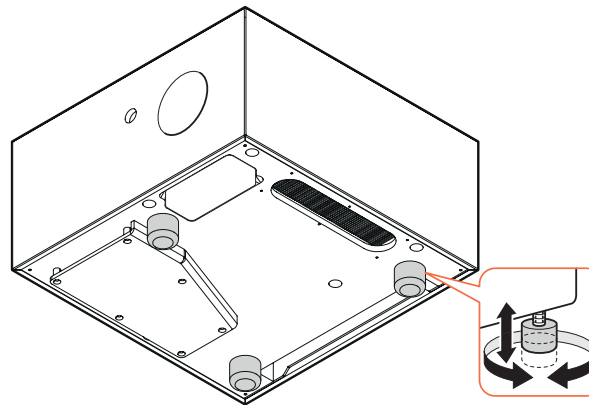
### 5. Adjust Zoom & Focus



### 2. Connect Input Device(s) To The Projector



### 4. Projector positioning



### 6. Ready! Set! Action!

